

**zcM1500 / zcM2500**  
**ELECTRONIC NON-ADHESIVE MATERIAL CUTTER**

Thank you for purchasing the START International zcM1500 or zcM2500 electronic non-adhesive material cutter. The zcM2500 has the same features as the zcM1500 but with an added safety guard cutter. The zcM1500 and zcM2500 are designed for cutting ONLY NON-ADHESIVE MATERIALS. Do not use with any adhesive materials. They are capable of feeding and cutting non-adhesive materials such as tubing, wiring and non-adhesive tapes (up to 50mm) in width.

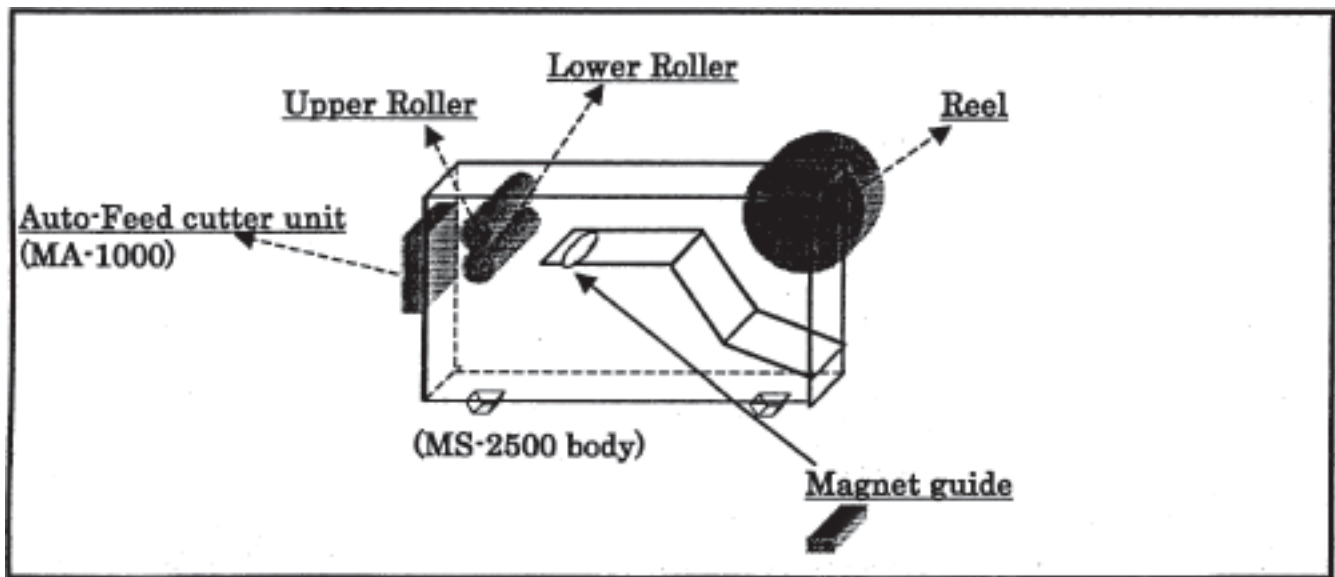
Please refer to the zcM1100 manual for basic operation as the functionality is the same.

**TO SET NON-ADHESIVE MATERIALS**

- 1) Remove the reel
- 2) Load your material onto the reel and place loaded reel on the zcM2500
  - \* Standard 3-inch reel is included. Other sizes are optional, please contact your dealer.
  - \* Ensure material is centered on the reel to prevent jamming.
- 3) Place edge of material between upper and lower roller and feed slowly by ↓ (Feed) button
- 4) To help smooth feeding use enclosed magnet guide.

**TO SET MAGNET GUIDE**

Place magnet guide onto the flat surface behind the rollers. Then slowly and adjust the metal guide according to width of material.



**CAUTION**

There are many kinds of non-adhesive materials. Depending on characteristics or thickness certain non adhesive materials may not work with this machine. If you find any difficulty cutting material, please contact your dealer. Low adhesive materials can not be cut.