

TDA080

instructions



**START**<sup>TM</sup>  
International

## CONTENTS

Read this user's manual before use to ensure proper operation. Keep the manual on hand for reference in case there is a problem.

Warranty Information .....	2
Repair Policy .....	2
Notes .....	3
Features .....	3
Description of Parts and Functions.....	3
Set-up.....	4
Operation.....	4
Specifications.....	4
Troubleshooting .....	5
Preventive Maintenance .....	5
Exploded Views/Parts Breakdown .....	6-12
Parts List.....	13-14

## WARRANTY POLICY FOR TDA080 TAPE DISPENSER

START International warrants all parts on the TDA080 tape dispenser against defects in design, materials and workmanship for a period of 360 days. Parts excluded from this are: cutting blade, springs, pressure rollers; these parts are considered "wear parts". Labor to replace defective parts will be performed at no charge for the first 180 days after date of purchase. Warranty does not cover transportation costs.

Our sole obligation under this warranty is limited to repair, replacement or credit of the purchase price, at our option, for units that do not perform properly the function for which they were designed.

Warranty repair is contingent upon our examination and determination that alleged defects have not been caused by misuse, abuse, improper installation or application, repair, alteration, accident or neglect in use, storage, transportation or handling.

The above warranty and remedy constitutes START International's sole liability hereunder and are in lieu and exclusive of all other warranties and remedies expressed, implied, or statutory, including, but not limited to, those of merchantability and fitness for a particular purpose.

### REPAIR POLICY

Contact START International to determine nature of problem.

Furnish START with the following information:

1. Who the unit was purchased from.
2. Model number and serial number.
3. Date purchased (copy of invoice or packing slip required).

Start will issue an RGA (Return Goods Authorization) for the repair.

Return machine to Start International by UPS, insured and prepaid.  
Start will notify the customer if there is a repair charge.

A \$25.00 evaluation charge will apply to all non-warranty repairs, and will be applied to subsequent repair charge.

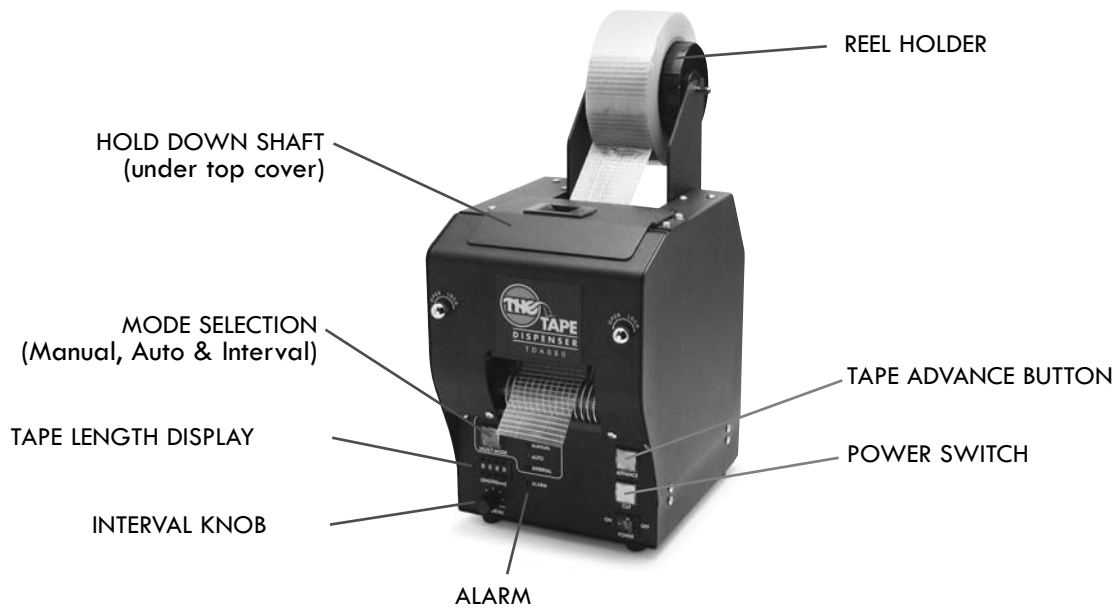
## NOTES

- Do not leave tape dispenser in direct sunlight.
- Wipe with dry cloth only.
- Do not drop the dispenser or subject it to heavy shock.
- Do not use in humid or dusty locations.
- Do not insert your fingers into the tape outlet.

## FEATURES

- When using automatic feed, remove the first piece of tape, the unit will automatically feed and cut the next piece at the preset length.
- Feed length can be easily set using thumbwheel controls.
- Hold down shaft increases accuracy by maximizing tape adhesion to the feed rollers.
- The blade is easy to remove and replace.
- Optional serrated blade for hard to cut materials.

## DESCRIPTION OF PARTS AND FUNCTIONS



- Tape Length Display – Shows preset feed length. Four-digit display can be set from 50-9999mm.
- Interval Knob – Sets delay time before dispensing next piece.
- Auto/Manual Switch – Toggles operating mode between Manual (press Tape Advance button to dispense) and Auto (automatic feed and cut when piece is removed).
- Power Switch – Press to turn power On and Off.
- Tape Advance Button – Press to feed and cut one piece of tape to the preset length.
- Hold Down Shaft – Increases adhesion to feed roller.
- Reel Holder – 3” core to hold material.
- Alarm – Lights when there is a malfunction in the unit.

## SET-UP

1. With Power Switch off, plug power cord into dispenser and then into wall outlet.
2. Make sure machine is grounded properly.
3. Set the Tape Length Display to 200mm.
4. Set the Auto/Manual Switch to Manual.
5. Turn dispenser Power Switch on, switch will be illuminated.
6. Place tape roll on Reel Holder.
7. Put Reel Holder into reel holder slots.
8. Open latched top cover and remove metal Hold Down Shaft.
9. Press end of tape firmly onto metal feed roller, then replace Hold Down Shaft over tape and close top cover.
10. Press Tape Advance Button.
11. Remove tape then press Tape Advance Button again to ensure proper feeding.

## OPERATION

- After tape has been loaded and fed, turn Power Switch off.
- Set Tape Length Display to required length using the push buttons above and below the numerical display. \*\* The length shown is in millimeters.\*\*
- Flip Auto/Manual Switch to desired location.  
AUTO: When the cut piece of tape is removed from the machine, the next piece is automatically fed and cut. The Interval Knob will set the time delay before the next piece is dispensed. Maximum delay is 25 seconds.  
MANUAL: The Tape Advance Button must be pressed each time a piece of tape is needed. The tape will then be fed and cut.
- Turn Power Switch on.
- Press Tape Advance Button to begin dispensing tape.

\*\*\* Tape lengths vary depending on material. Verify length of first piece.

## SPECIFICATIONS

Model #	Tape Width	Cut length	Max. Outside Dia. $\phi$	Core Diameter**	Accuracy of Cut*	Tape Cutter	Feed Type	Length Setting	Weight	Dimensions
TDA080	.25 to 3.15" (6.4 to 80mm)	2 to 394" (50 to 9999mm)	9" (251mm)	3" (76.2mm)	+/- .04" (1mm)	Automatic	Automatic	Digital	21lbs. (9.5kg)	9"(L) x 6.625"(W) x 12"(H) / 229mm(L) x 168mm(W) x 305(H)

• Auxiliary stand available for diameters up to 24".

\* Dependant on material.

\*\* Other sizes available.

## **TROUBLESHOOTING**

When problems occur, carry out the following procedures. If the tape dispenser does not operate normally after following the troubleshooting procedures, contact your supplier or Start International.

No power light / Tape does not feed

- Unplug unit and plug in again.
- Turn power switch off, wait 5 seconds, turn unit back on.
- Check that front panel is closed securely, and safety interlock is engaged.
- Verify that the fuse has not blown.
- Check that Tape Length Display is 40mm or greater.

Tape does not feed when unit is in AUTO mode

- Check that Auto/Manual Switch is in correct position.
- Turn Interval Knob all the way counterclockwise.
- Wait 1 full second after tape is cut before removing tape from machine.

Blade sticks in closed position

- Apply silicon oil to #242 Blade Roller.

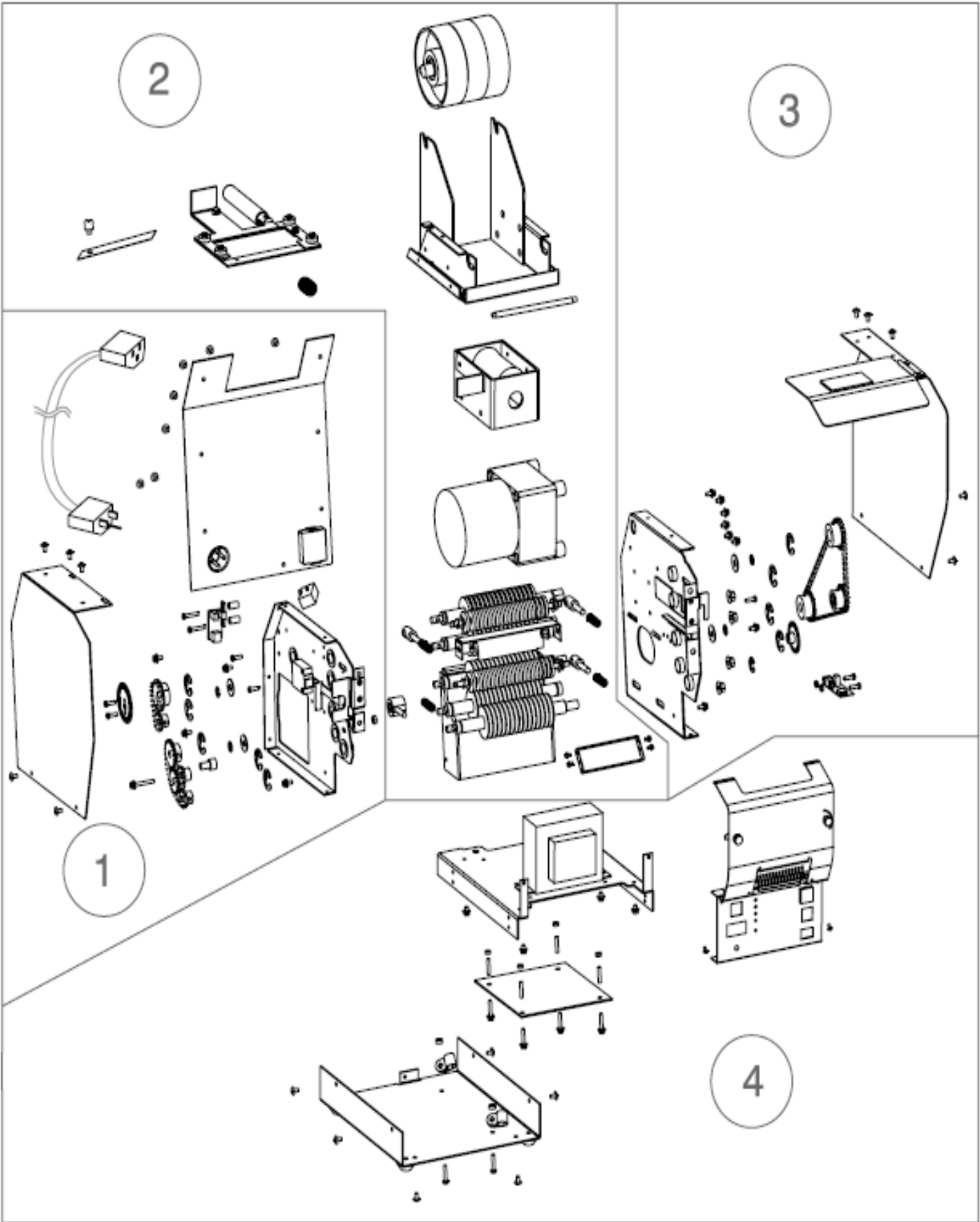
Tape is not cut all the way through

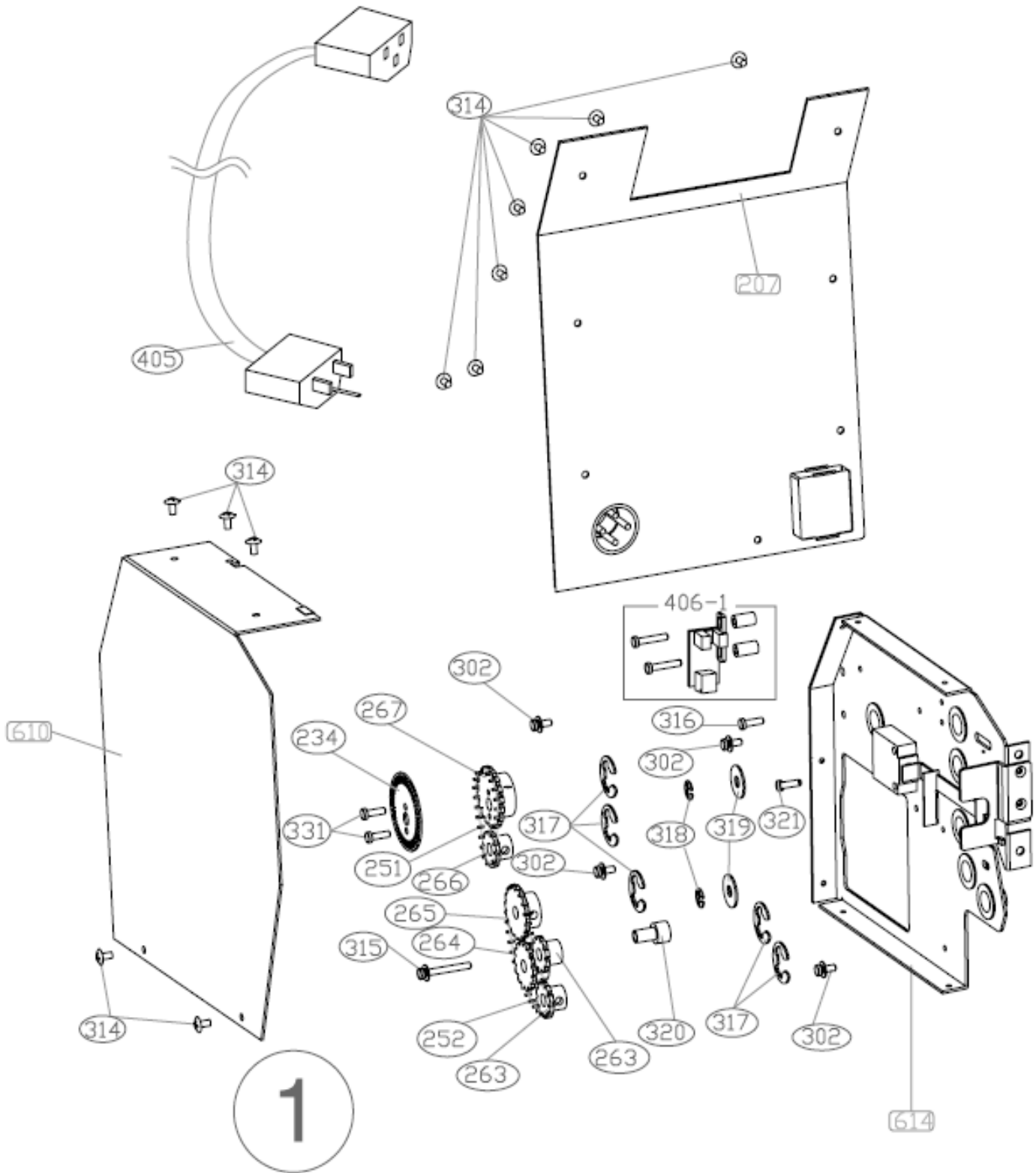
- Replace #279 blade with #279S serrated blade.

## **PREVENTIVE MAINTENANCE**

WEEKLY – Wipe feed rollers and blade with proper solvent to remove adhesive build-up.

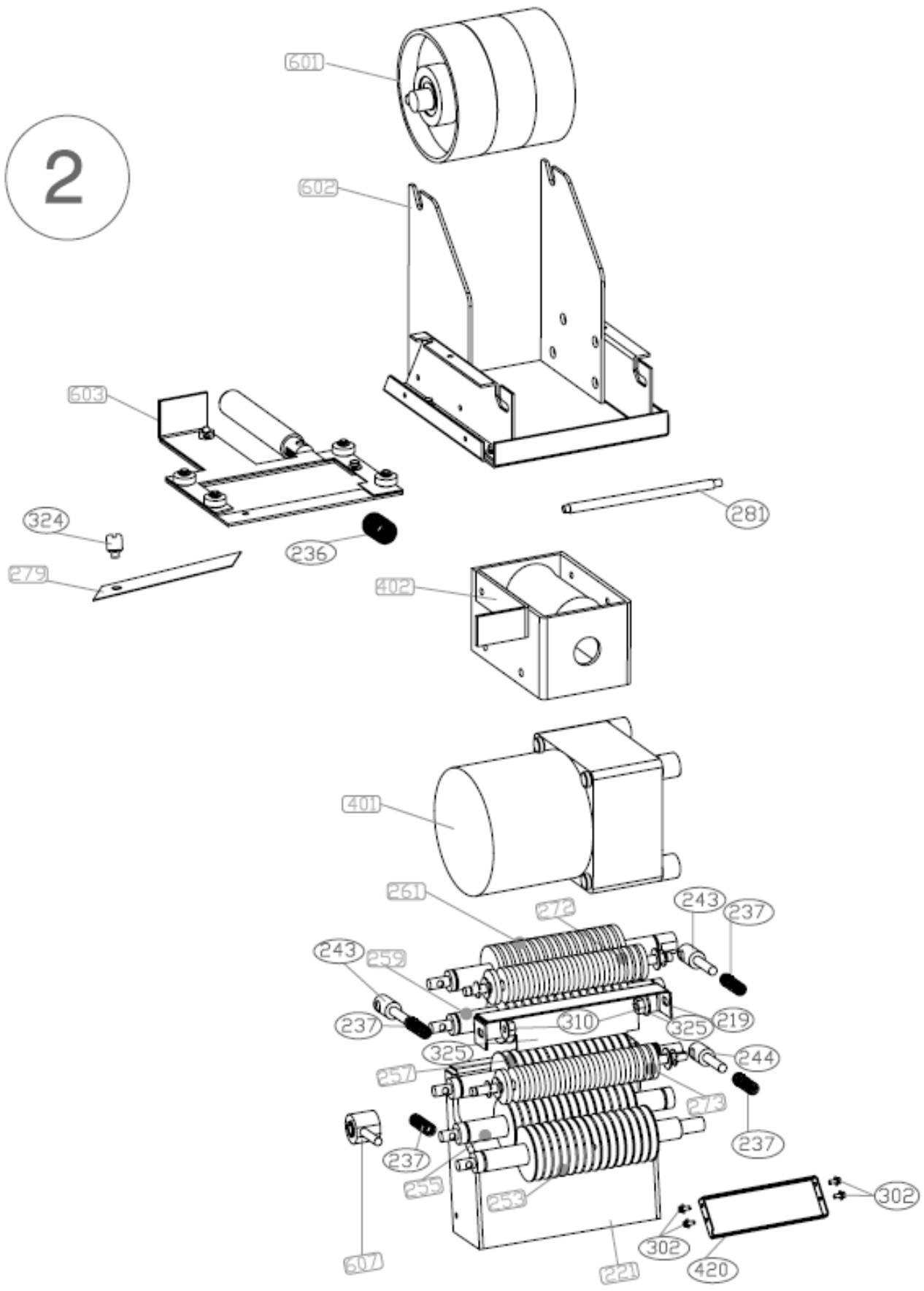
MONTHLY – Apply silicone oil (available from Start International) to #242 blade roller. Inspect pressure rollers and cutting blade for wear.





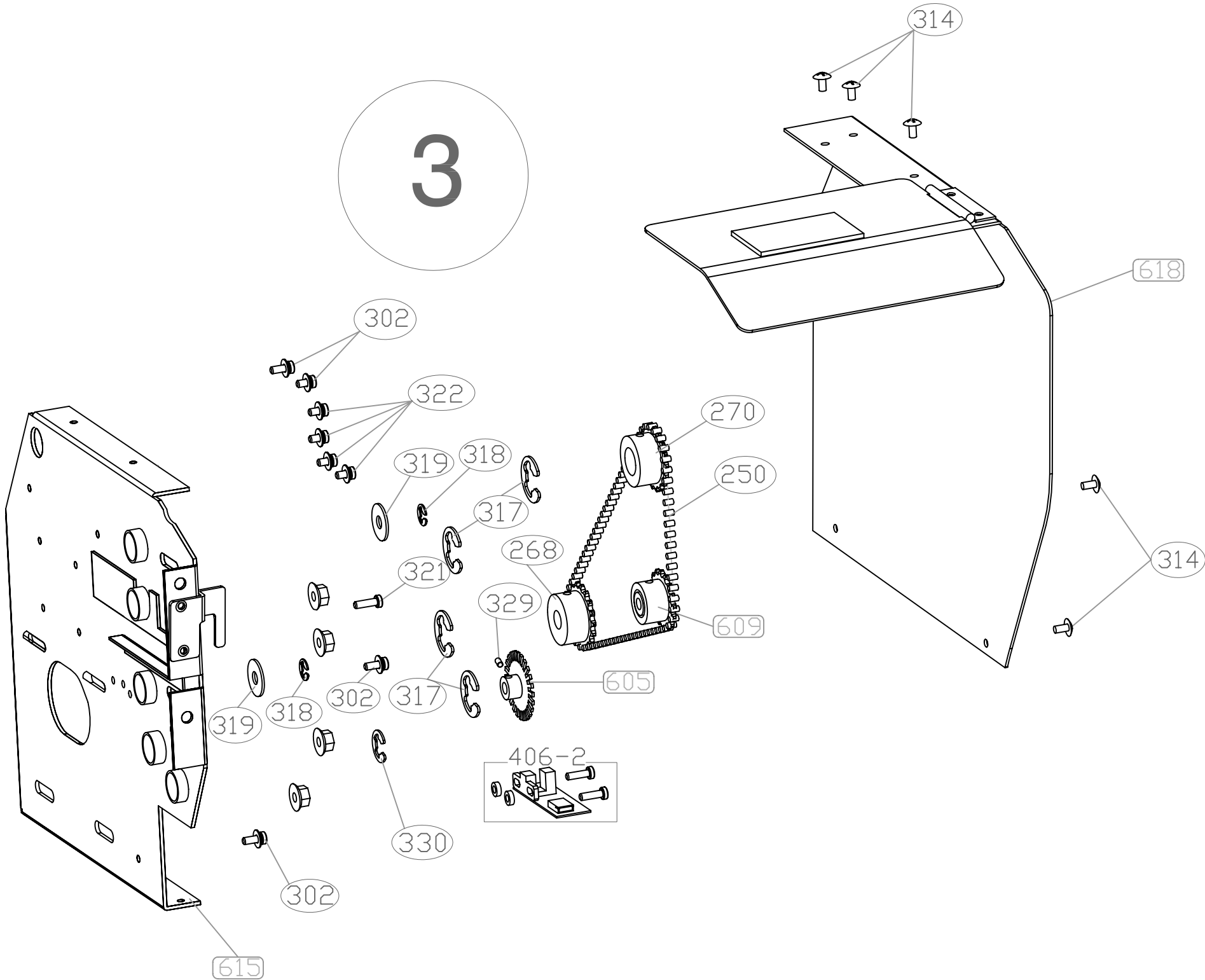
All parts are supplied with applicable hardware for assembly. 10/06

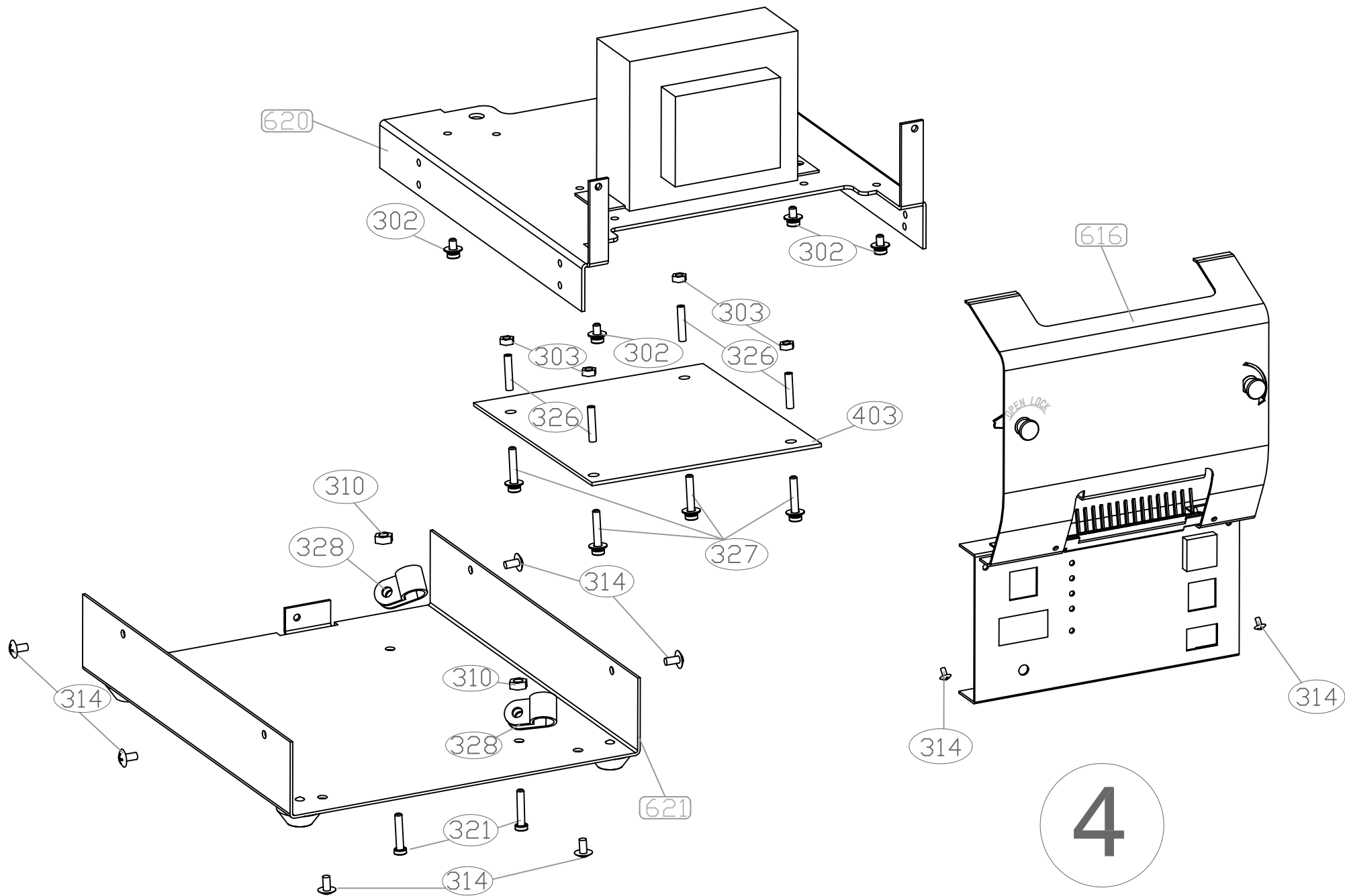
2

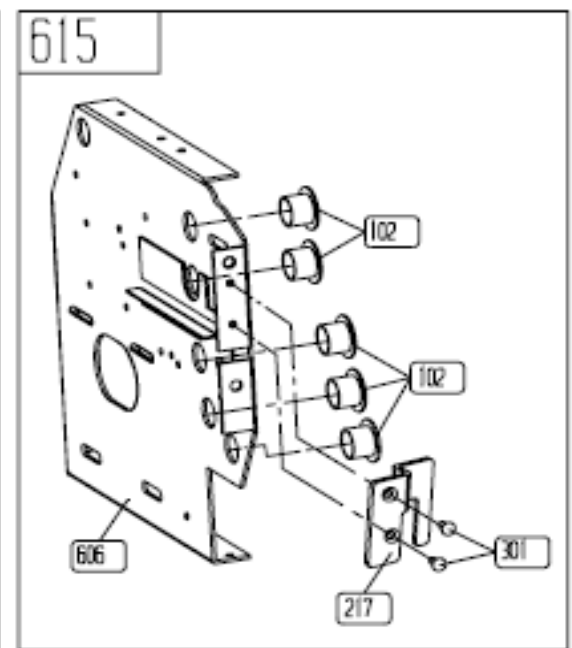
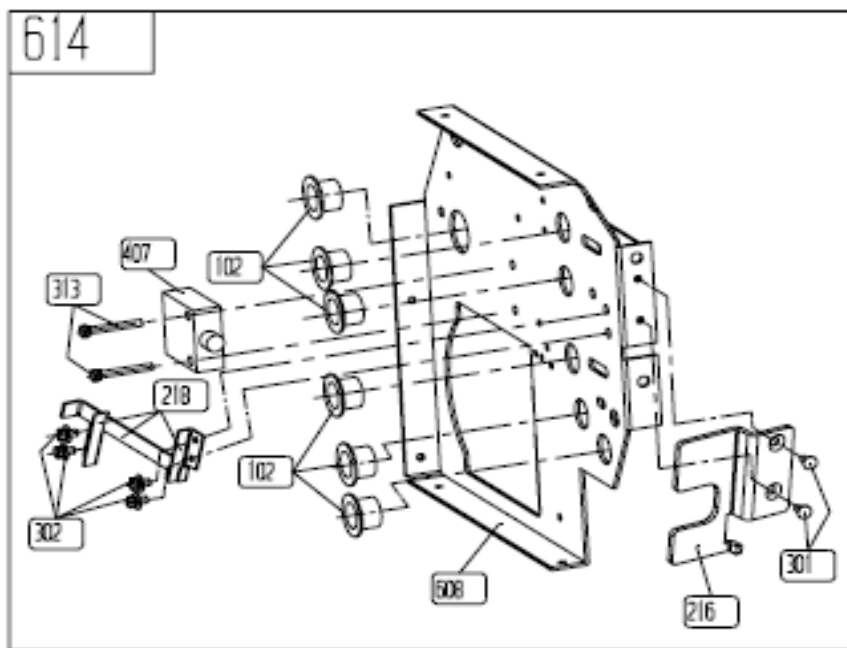
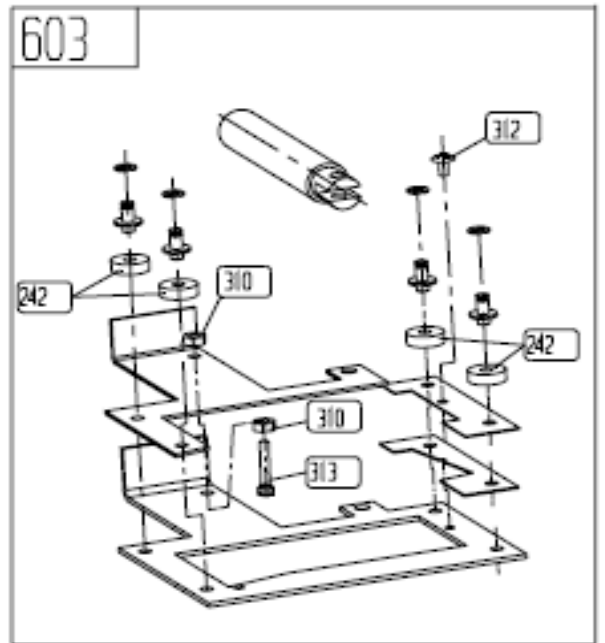
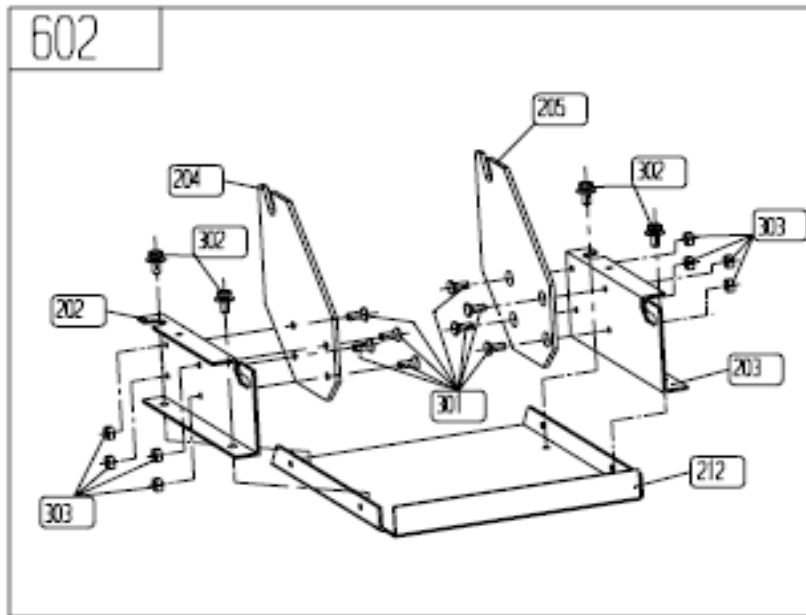
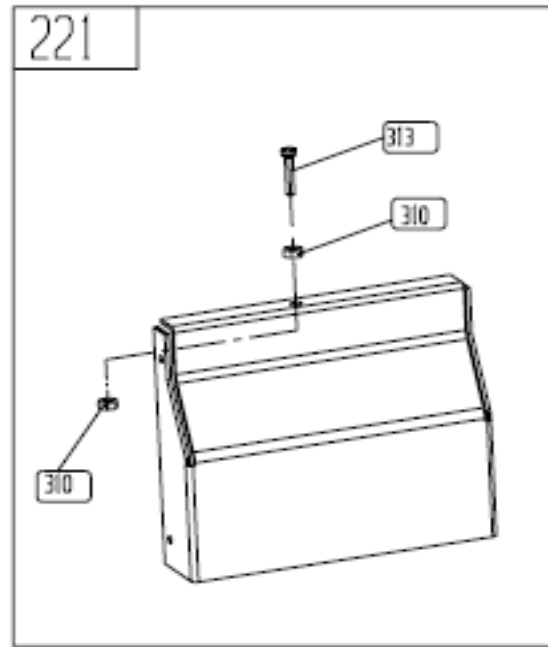
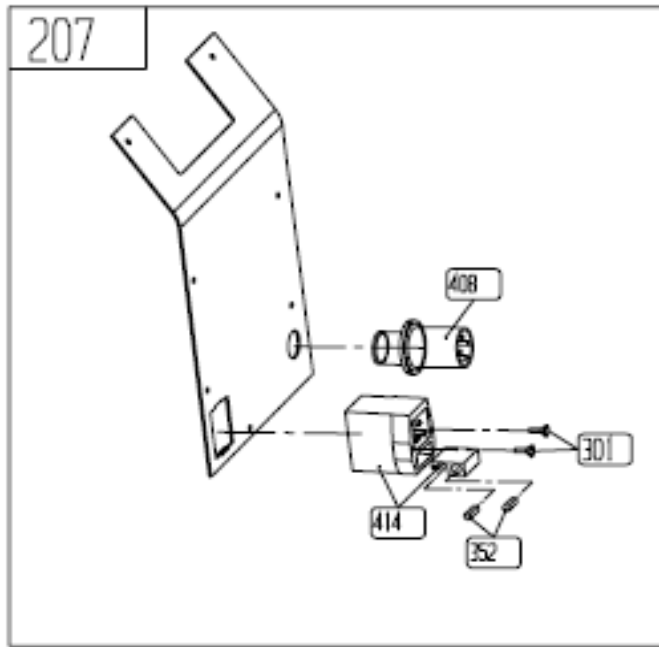




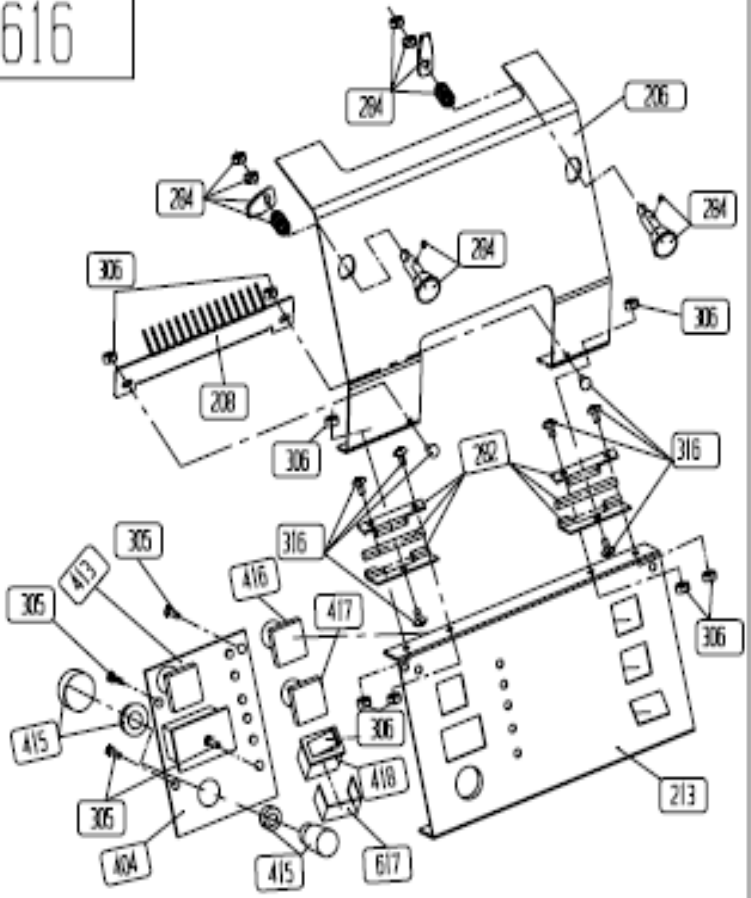
# 3



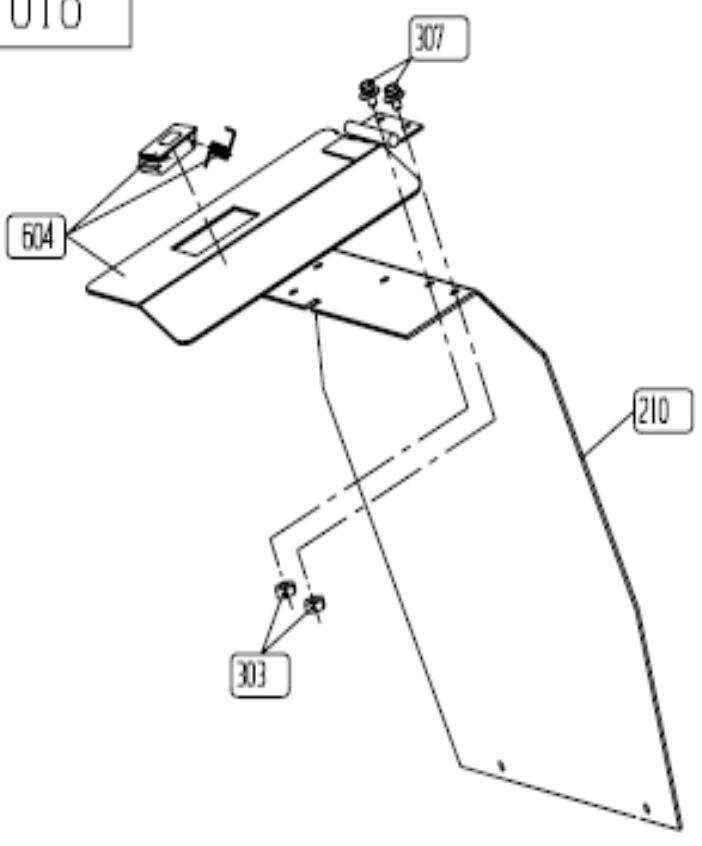




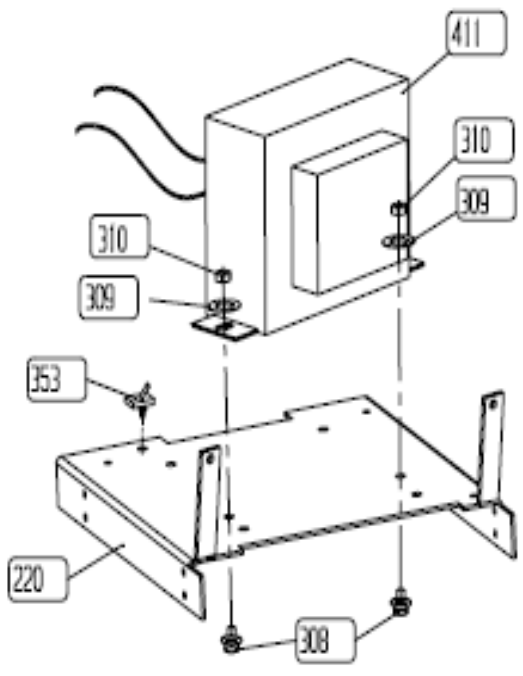
616



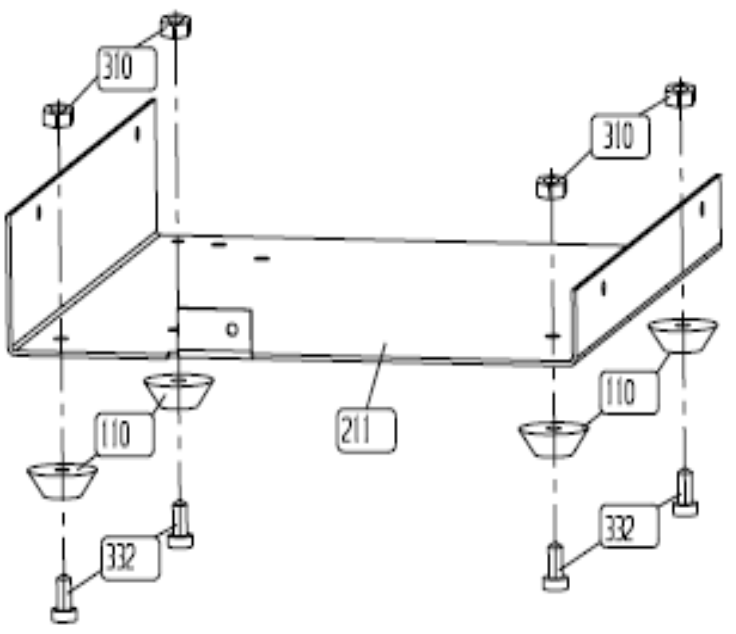
618



620



621



## TDA080 Parts list

Part #	Section #	Part Name	Part #	Section #	Part Name
TDA080P102	614,615	Plastic Sleeve	TDA080P259	2	Feed Roller D
TDA080P110	621	Feet	TDA080P261	2	Feed Roller E
TDA080P202	602	Left Tape Holder Plate	TDA080P263	1	Sprocket (10T)
TDA080P203	602	Right Tape Holder Plate	TDA080P264	1	Sprocket (14T)
TDA080P204	602	Left Tape Holder	TDA080P265	1	Sprocket (16T)
TDA080P205	602	Right Tape Holder	TDA080P266	1	Sprocket (18T)
TDA080P207	1	Rear Panel Assy.	TDA080P267	1	Sprocket (18T)
TDA080P206	616	Front Plate	TDA080P268	3	Motor Sprocket
TDA080P208	616	Tape Guide	TDA080P270	3	Sprocket (18T)
TDA080P210	618	Right Plate	TDA080P272	2	Roller Shaft A
TDA080P211	621	Base Panel	TDA080P273	2	Roller Shaft B
TDA080P212	602	Tape Holder Assy.	TDA080P279	2	Straight Blade
TDA080P213	616	Control Plate	TDA080P279S	2	Serrated Blade
TDA080P216	614	Left Top Bracket	TDA080P281	2	Pressing Tape Shaft
TDA080P217	615	Right Top Bracket	TDA080P282	616	Hinge 4
TDA080P218	614	Safety Switch Assy.	TDA080P284	616	Knob Shaft
TDA080P219	2	Black Frame	TDA080P301	207,602,614,615	Screw
TDA080P220	620	Bottom Inner Plate	TDA080P302	1,2,3,4,602,614	Screw
TDA080P221	2	Middle Panel Assy.	TDA080P303	4,602,618	Nut
TDA080P234	1	Feed Encoder Wheel	TDA080P305	616	Screw
TDA080P236	2	Cutter Frame Spring	TDA080P306	616	Nut
TDA080P237	2	Roller Spring	TDA080P307	618	Screw
TDA080P242	603	Blade Roller	TDA080P308	620	Screw
TDA080P243	2	Slide Pin (Long)	TDA080P309	620	Lock Washer
TDA080P244	2	Slide Pin (Short)	TDA080P310	2,4,221,603,620,621	Nut
TDA080P250	3	Drive Chain	TDA080P312	603	Screw
TDA080P251	1	Feed Chain #1	TDA080P313	221,603,614	Screw
TDA080P252	1	Feed Chain #2	TDA080P314	1,3,4	Screw
TDA080P253	2	Feed Roller A	TDA080P315	1	Screw
TDA080P255	2	Feed Roller B	TDA080P316	1,616	Screw
TDA080P257	2	Feed Roller C	TDA080P317	1,3	E-ring

## TDA080 Parts list

Part #	Section #	Part Name	Part #	Section #	Part Name
TDA080P318	1,3	E-ring	TDA080P418	616	Switch
TDA080P319	1,3	Washer	TDA080P420	2	Middle Frame
TDA080P320	1	Wheel Sleeve	TDA080P601	2	Reel Holder Assy.
TDA080P321	1,3,4	Screw	TDA080P602	2	Tape Holder Assy.
TDA080P322	3	Screw	TDA080P603	2	Blade Holder Assy.
TDA080P324	2	Screw	TDA080P604	618	Top Door
TDA080P325	2	Washer	TDA080P605	3	Encoder Wheel Assy.
TDA080P326	4	Plastic Washer	TDA080P606	615	Right Inner Panel
TDA080P327	4	Screw	TDA080P607	2	Roller Support
TDA080P328	4	Cable Fixer	TDA080P608	614	Left Inner Panel
TDA080P329	3	Screw	TDA080P609	3	Feed Gear Assy.
TDA080P330	3	E-ring	TDA080P610	1	Feed Gear Assy.
TDA080P331	1	Screw	TDA080P614	1	Left Inner Panel Assy.
TDA080P332	621	Screw	TDA080P615	3	Right Inner Panel Assy.
TDA080P352	207	Fuse	TDA080P616	4	Feed Roller Gear Assy.
TDA080P353	620	Switch	TDA080P617	616	Switch Fixer Plate
TDA080P401	2	Motor & Gearbox	TDA080P618	3	Right Panel Assy.
TDA080P402	2	Solenoid	TDA080P620	4	Inner Plate Assy.
TDA080P403	4	Main PCB	TDA080P621	4	Base Assy.
TDA080P404	616	Control PCB			
TDA080P405	1	Cable			
TDA080P406-1	1	Encoder Right			
TDA080P406-2	3	Encoder Left			
TDA080P407	614	Safety Switch			
TDA080P408	207	Foot Switch			
TDA080P411	620	Transformer			
TDA080P413	616	Mode Button			
TDA080P414	207	Electric Socket			
TDA080P415	616	Interval Switch			
TDA080P416	616	Advance Button			
TDA080P417	616	Cut Button			



**START™**

**I n t e r n a t i o n a l**

4270 Airborn Drive

Addison, TX 75001, USA

Toll Free 800.259.1986

Tel 972.248.1999

Fax 972.248.1991

[info@startinternational.com](mailto:info@startinternational.com)

[www.startinternational.com](http://www.startinternational.com)