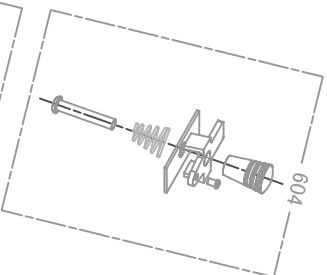
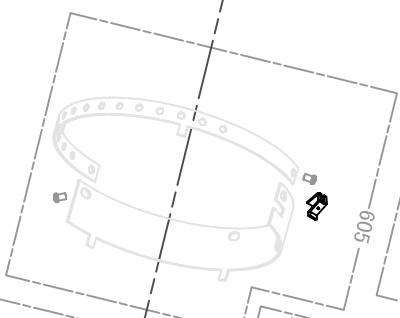


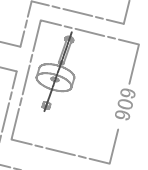
1



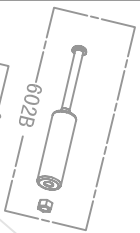
604



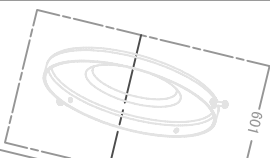
605



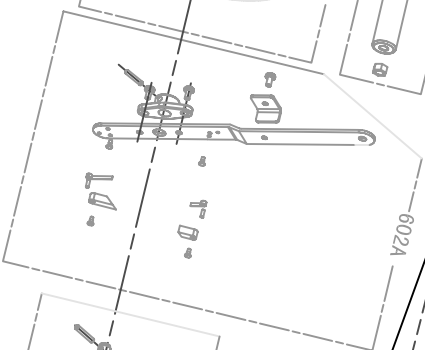
606



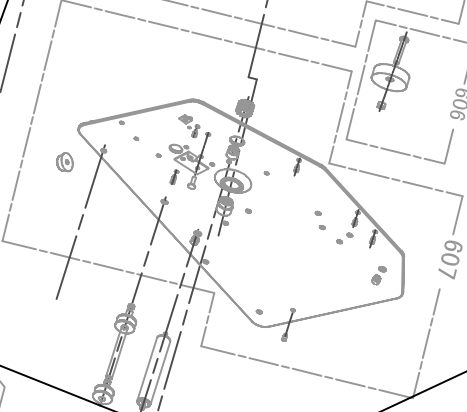
602B



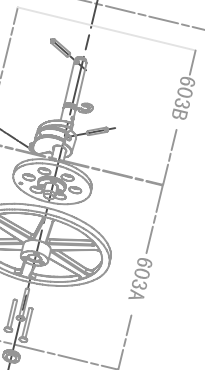
601



602A



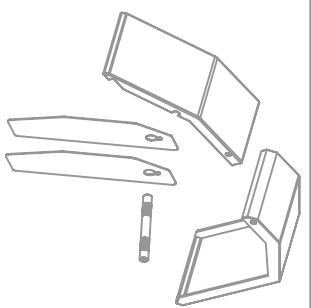
607



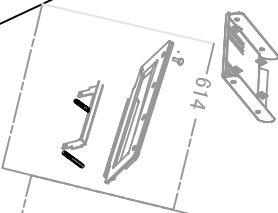
603A

603B

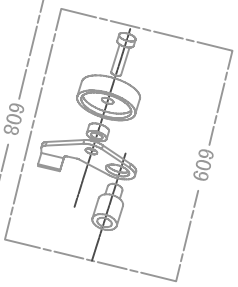
3



614

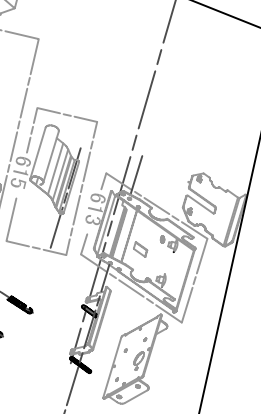


614

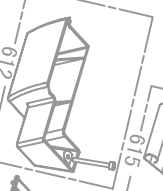


608

2



613



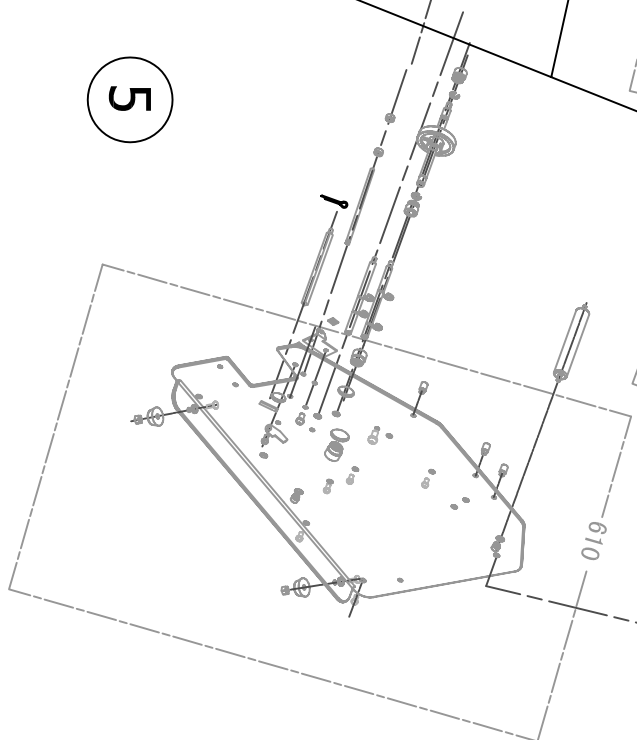
612



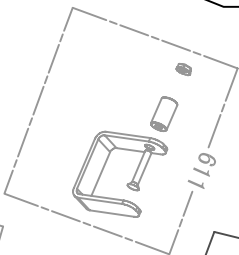
615

4

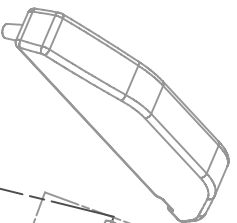
5



610



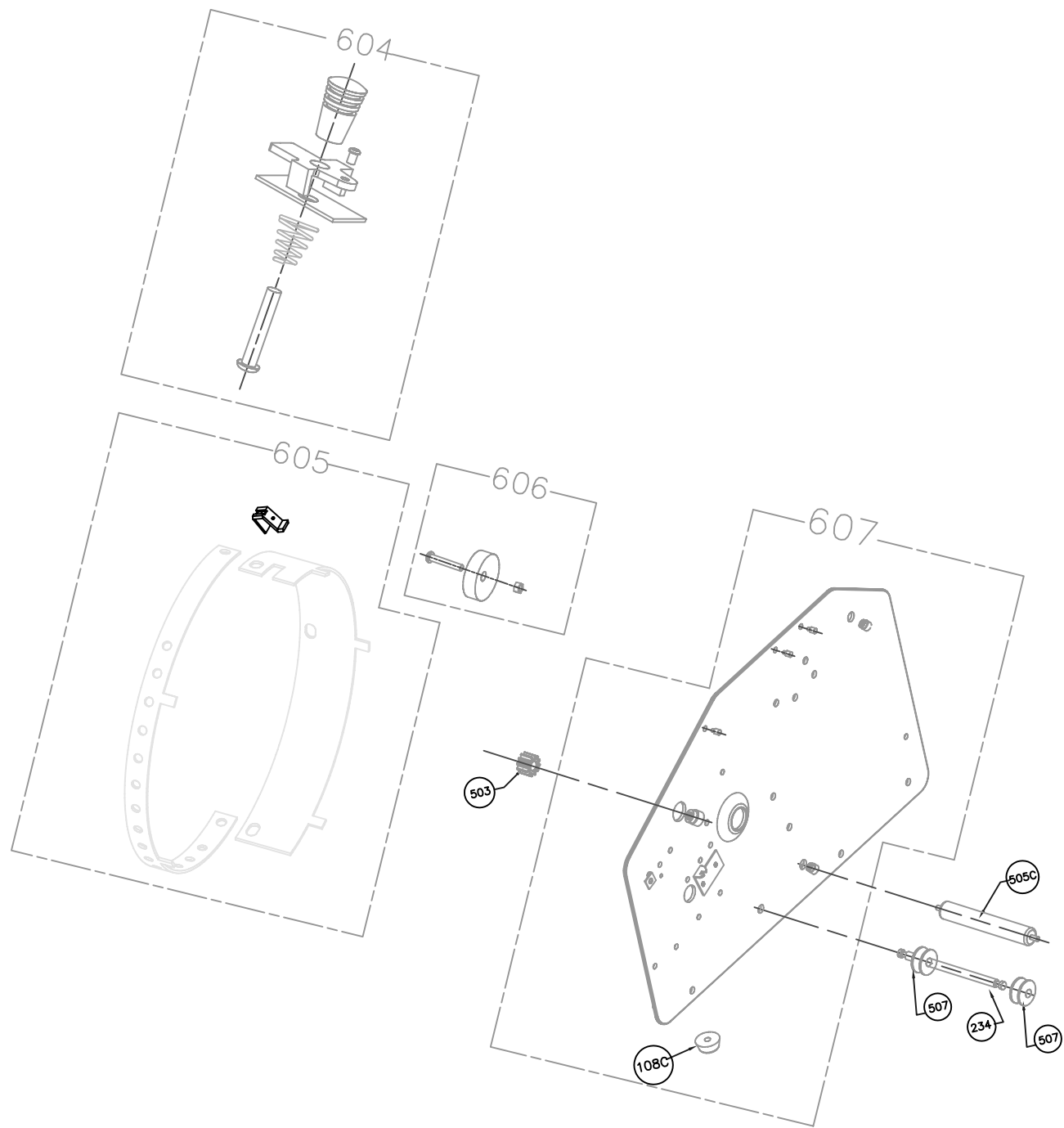
611



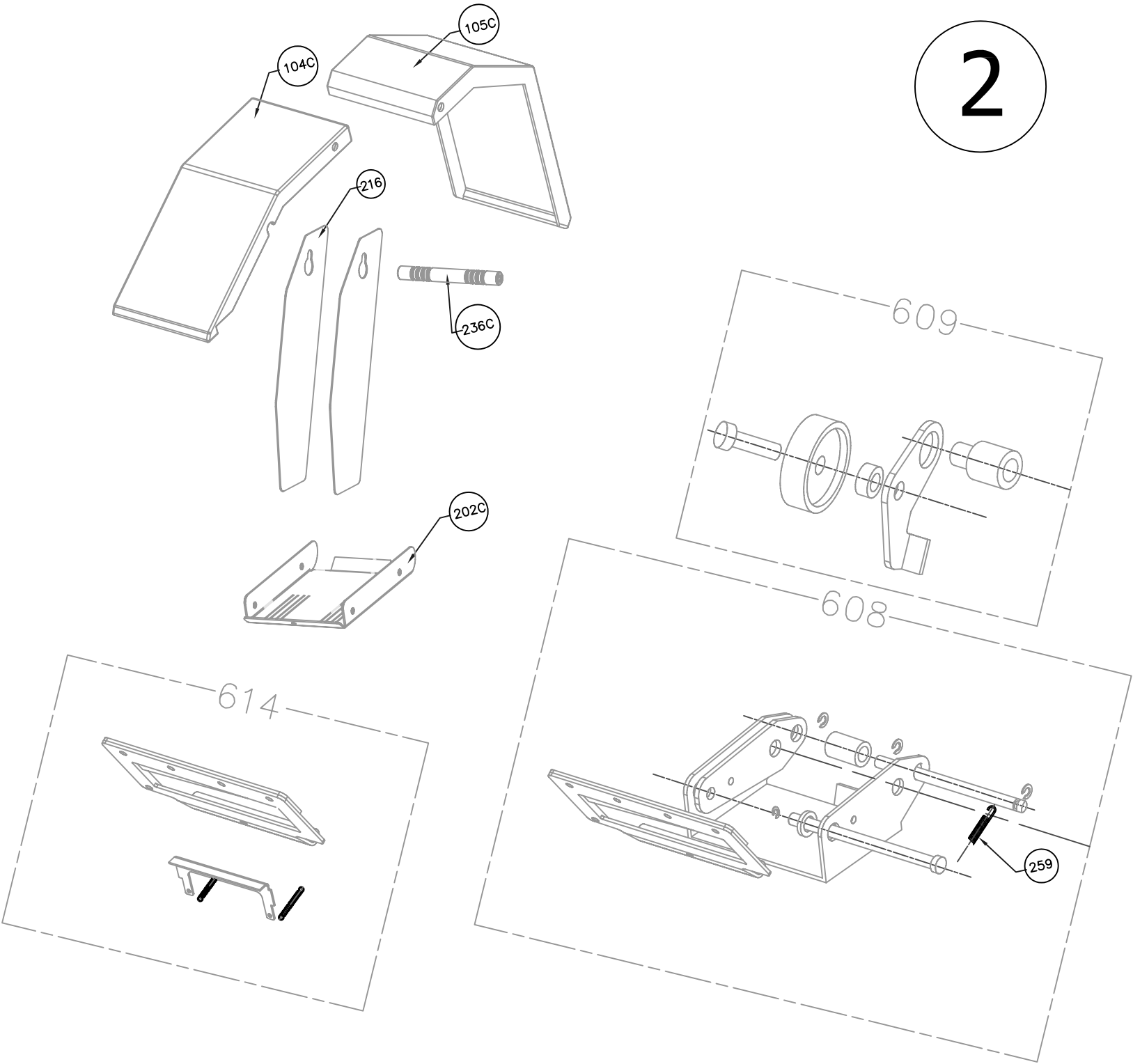
611

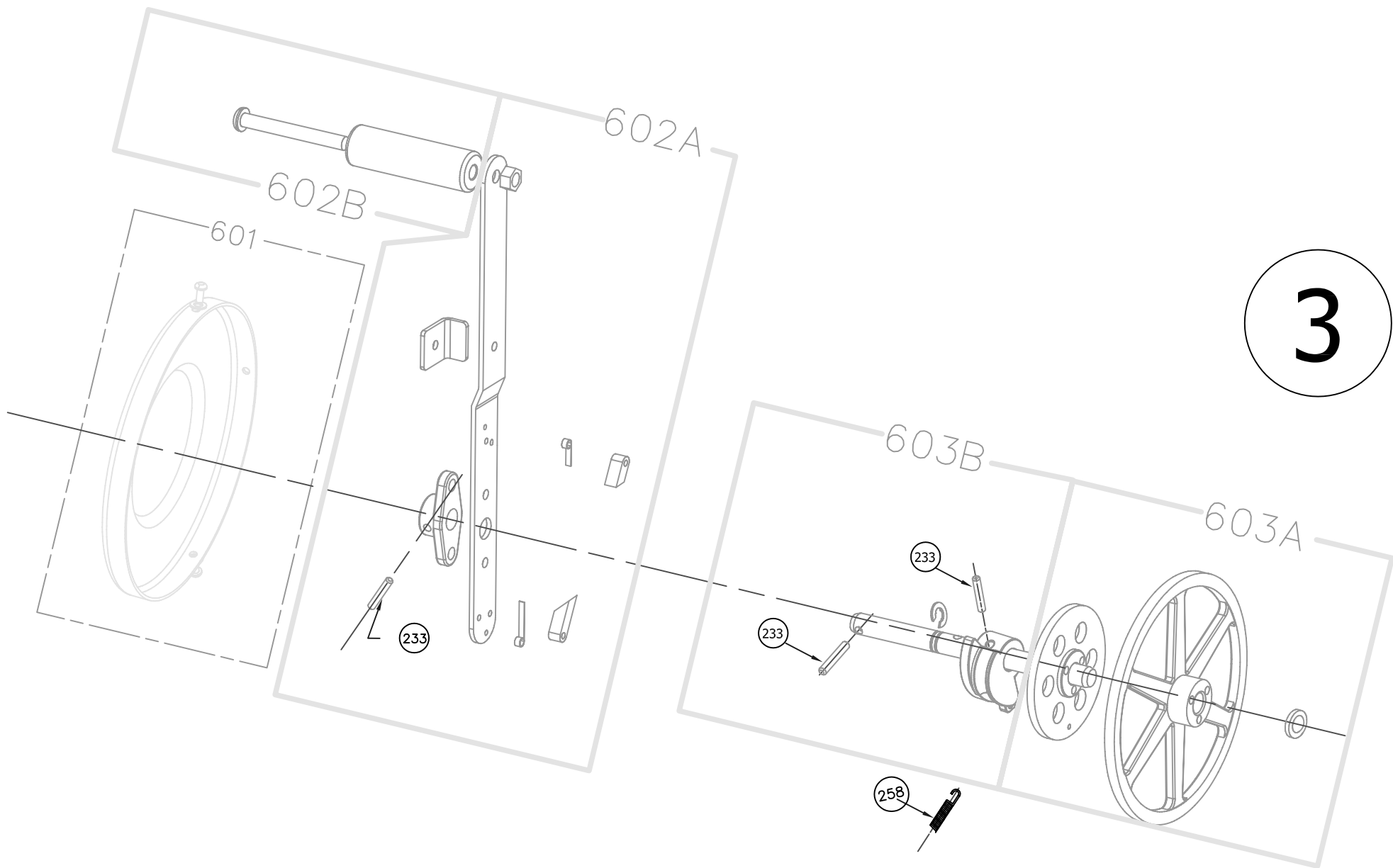
TDH20-1
ASSEMBLY

1

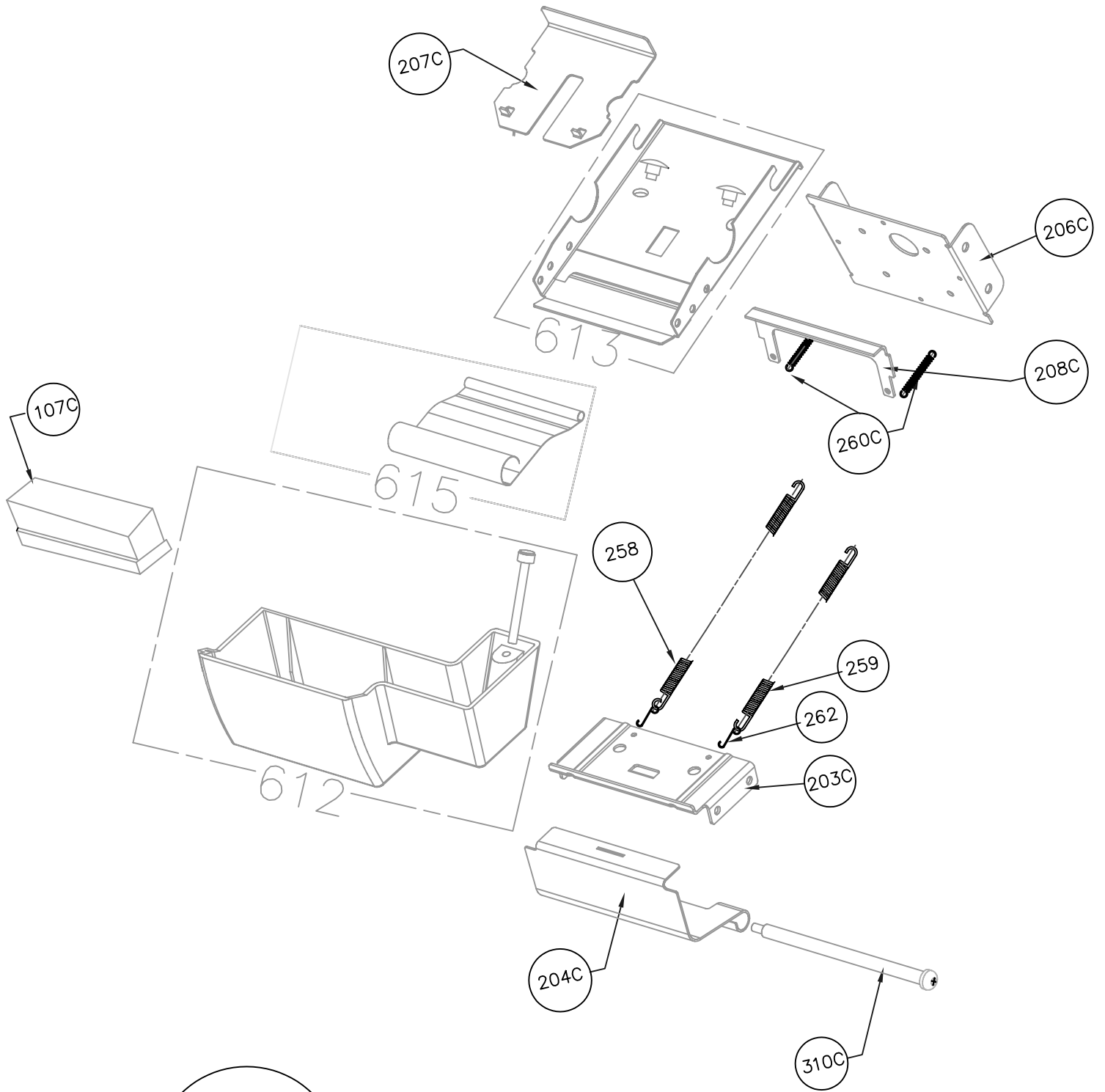


2

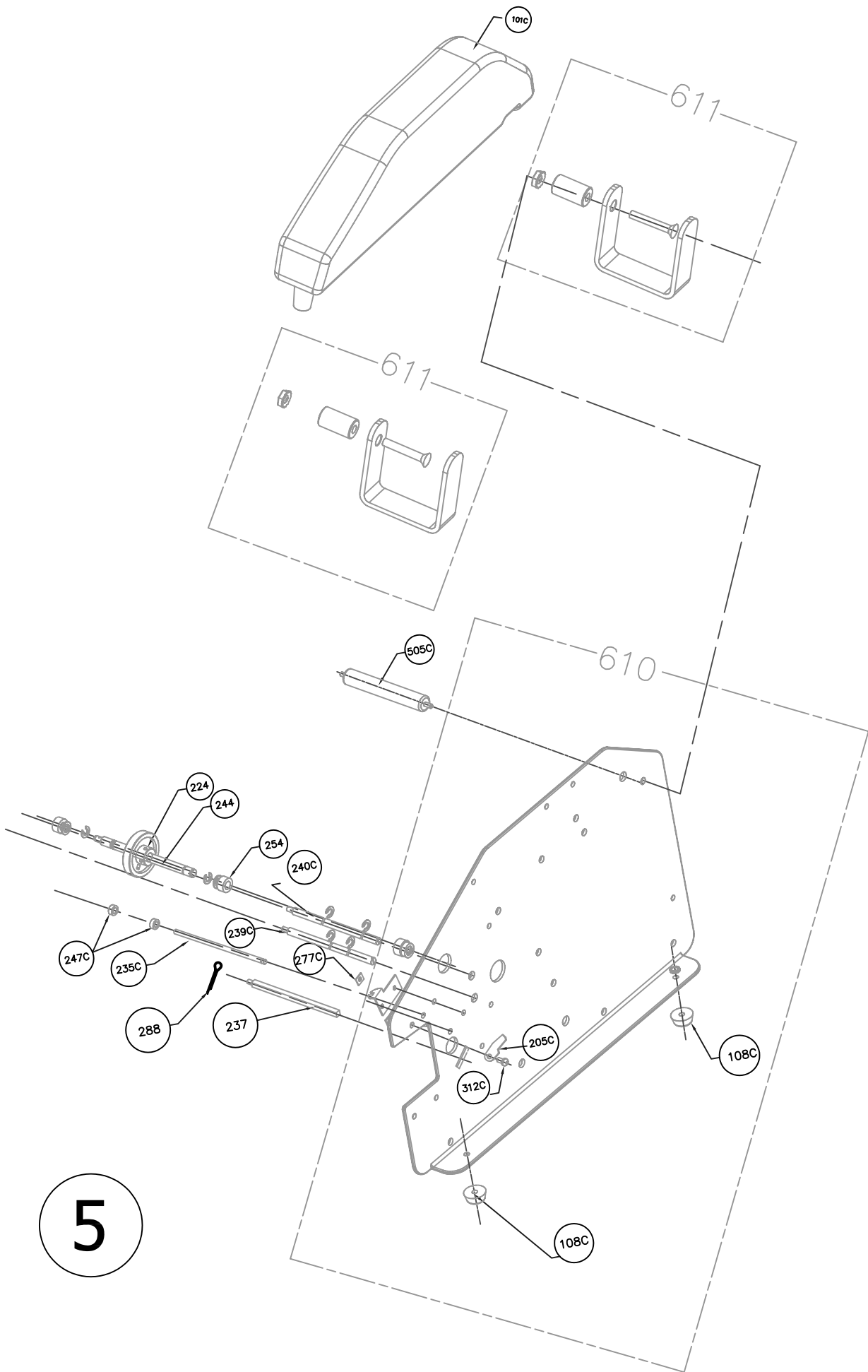




3



4



TDH2O-1 Parts list

Part Number	Section #	Part Name	Part Number	Section #	Part Name
TDH2O1P101C	5	Water Bottle	TDH2O1P288A	5	Rocker Stop Pin
TDH2O1P104C	2	Front Cover	TDH2O1P310C	4	Screw
TDH2O1P105C	2	Rear Cover	TDH2O1P312C	5	Screw
TDH2O1P107C	4	Moistening Brush	TDH2O1P503A	1	Handle Gear
TDH2O1P108C	1, 5	Rubber Feet	TDH2O1P505C	1, 5	Tape Roller
TDH2O1P202C	2	Base Basket	TDH2O1P507A	1	Spring Roller
TDH2O1P203C	4	Water Tank Shelf	TDH2O1P601	3	Gear Cover Assy.
TDH2O1P204C	4	Lower Front Cover	TDH2O1P602A	3	Handle Assy.
TDH2O1P205C	5	Pressure Plate Bar Lock	TDH2O1P602B	3	Handle Knob Assy.
TDH2O1P206C	4	Vertical Tie Plate	TDH2O1P603A	3	Drive Gear Assy.
TDH2O1P207C	4	Upper Tape Press Plate	TDH2O1P603B	3	Cam Shaft Assy.
TDH2O1P208C	4	Lower Blade	TDH2O1P604	1	Feed Stop Assy.
TDH2O1P216A	2	Tape Guide	TDH2O1P605	1	Length Frame Assy.
TDH2O1P224A	5	Feed Roller	TDH2O1P606	1	Handle Stopper Assy.
TDH2O1P233A	3	Spring Pin	TDH2O1P607	1	Left Frame Assy.
TDH2O1P234A	1	Spring Roller Bar	TDH2O1P608	2	Rocker Blade Assy.
TDH2O1P235C	5	Pressure Plate Bar	TDH2O1P609	2	Idler Shaft Sub-assy.
TDH2O1P236C	2	Tape Guide Bar	TDH2O1P610	5	Right Frame Assy.
TDH2O1P237A	5	Rocker Stop Bar	TDH2O1P611	5	Bottle Bracket Assy.
TDH2O1P239C	5	Lower Spacer Bar	TDH2O1P612	4	Water Tank Assy.
TDH2O1P240C	5	Upper Spacer Bar	TDH2O1P613	4	Lower Tape Plate Assy.
TDH2O1P244A	5	Front Roller Shaft	TDH2O1P614	2	Blade Set Assy.
TDH2O1P247C	5	Pressure Plate Spacer	TDH2O1P615	4	Pressure Plate Assy.
TDH2O1P254A	5	Feed Roller Spacer			
TDH2O1P258A	3, 4	Handle Return Spring			
TDH2O1P259A	2, 4	Crank Return Spring			
TDH2O1P260C	4	Lower Blade Spring			
TDH2O1P262A	4	Hook 1			
TDH2O1P277A	5	Nut Plate			