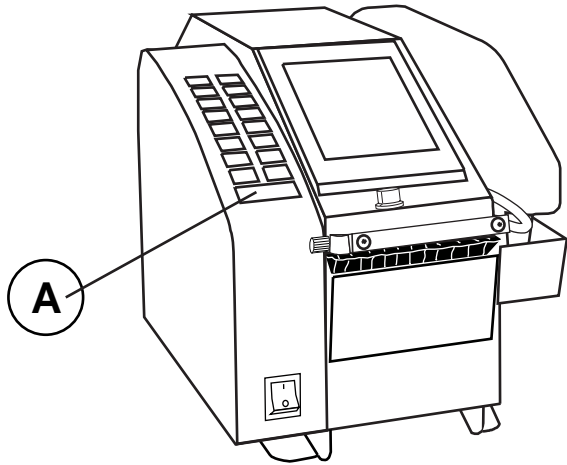


5

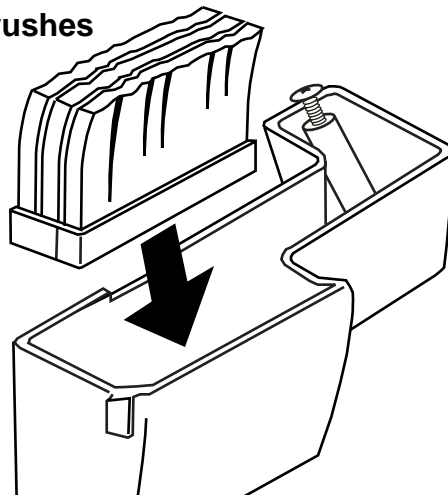
Check Tape



A: Press FEED button to dispense one piece of tape and ensure tape is loaded correctly

6

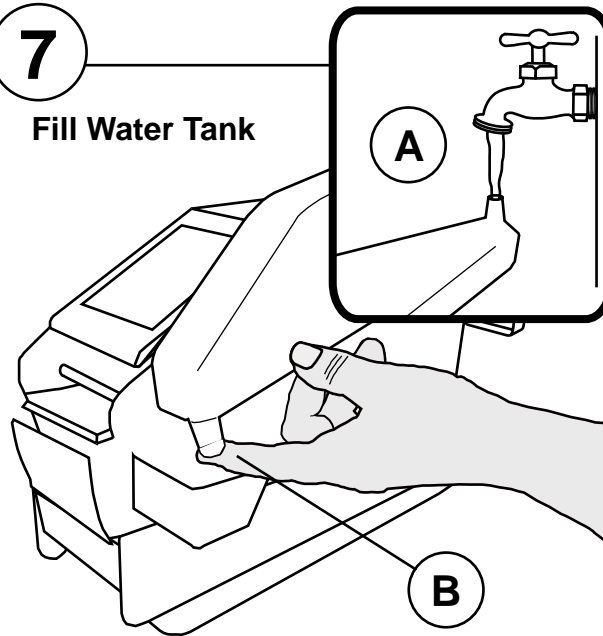
Clean Brushes



A: Remove brushes and wash with clean, warm water.
 B: Replace brushes. Brushes must be angled toward the front of the dispenser.

7

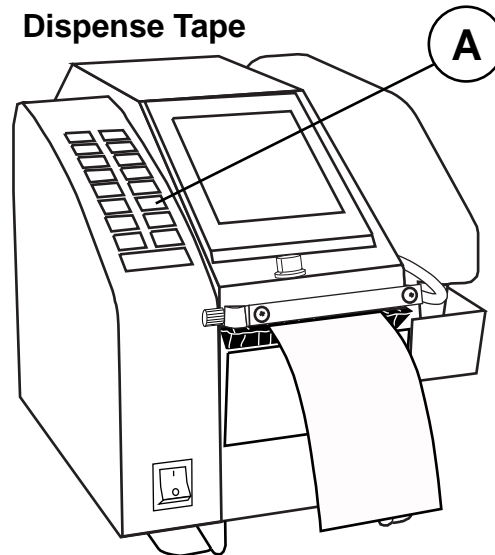
Fill Water Tank



A: Fill water tank with clean water
 B: To avoid spilling, place finger over fill hole when returning full water tank to its holder

8

Dispense Tape



A: Press desired tape length button

Need more help? Download the full manual or contact us

Quick Start Guide

TDH₂O5



4270 Airborn Dr. Addison, TX 75001, USA
 972.248.1999 | tech@startinternational.com

startinternational.com

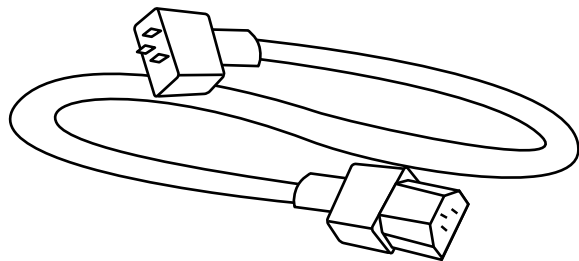
TDH₂O5

**Electric
Gummed “Water Activated”
Tape Dispenser**

ITEMS INCLUDED



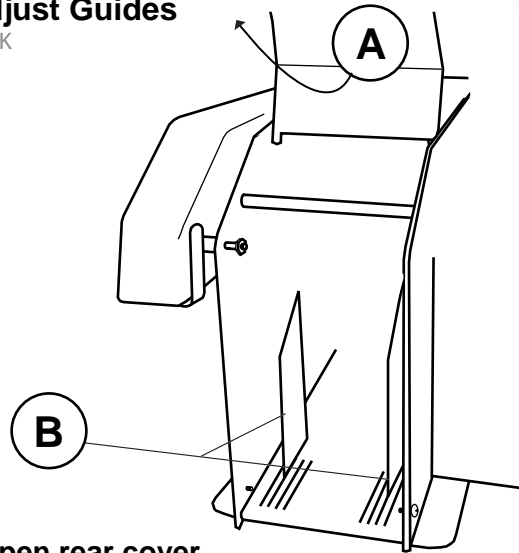
Dispenser



Power Cord

1

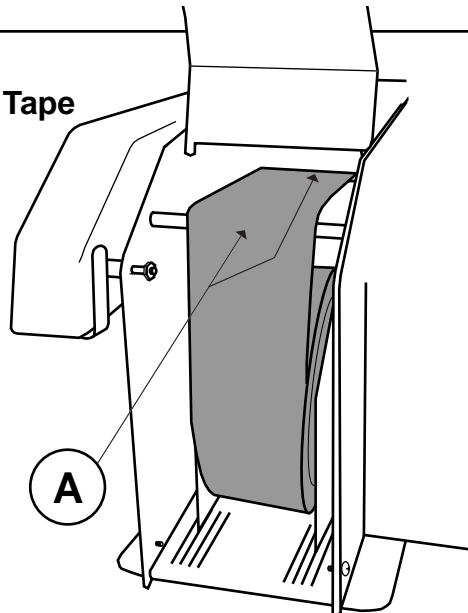
Adjust Guides
BACK



A: Open rear cover
B: Adjust reel guides to fit the tape roll

2

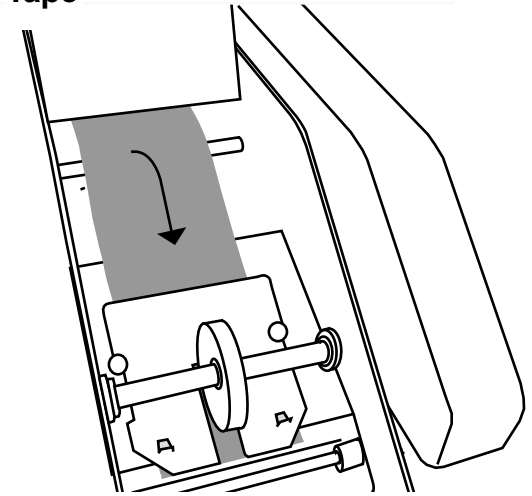
Insert Tape
BACK



A: Insert tape roll and guide tape over the black lift roller and the metal guide bar

3

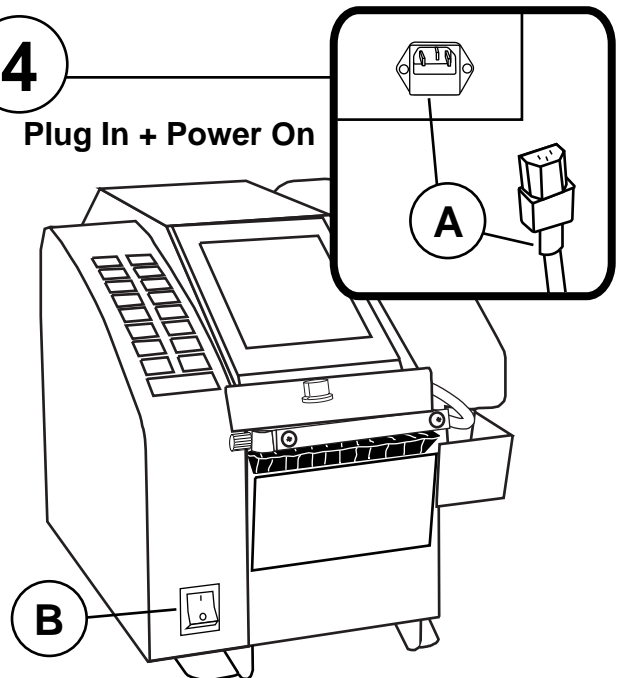
Feed Tape
FRONT



A: Raise front cover and continue feeding tape under the upper tape plate
B: Close cover all the way down

4

Plug In + Power On



A: Connect power cord (BACK)
B: Press power switch (FRONT) to turn on