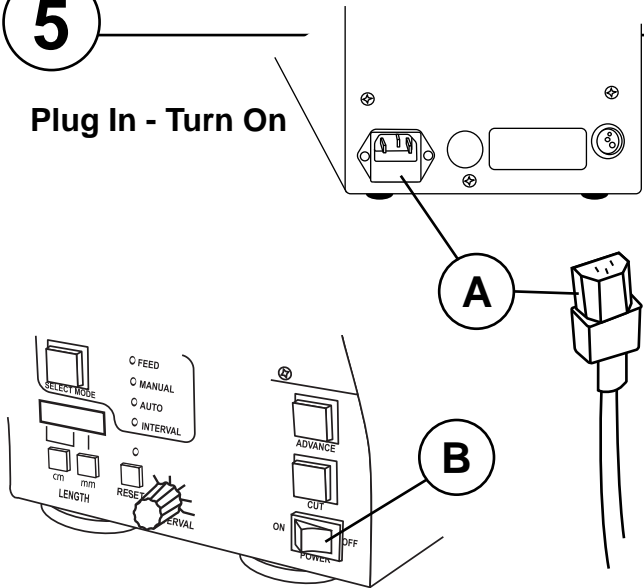


5

Plug In - Turn On

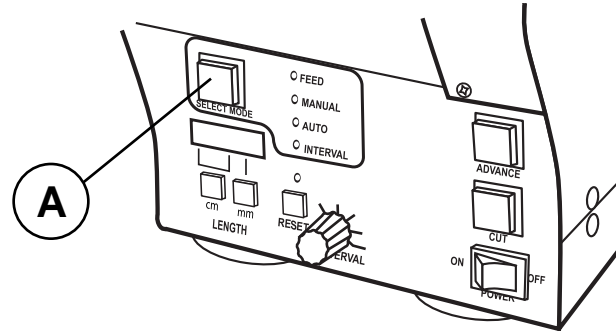


A: Connect power cord (in back)

B: Press power switch (on front) to turn on the machine

7

Select Mode

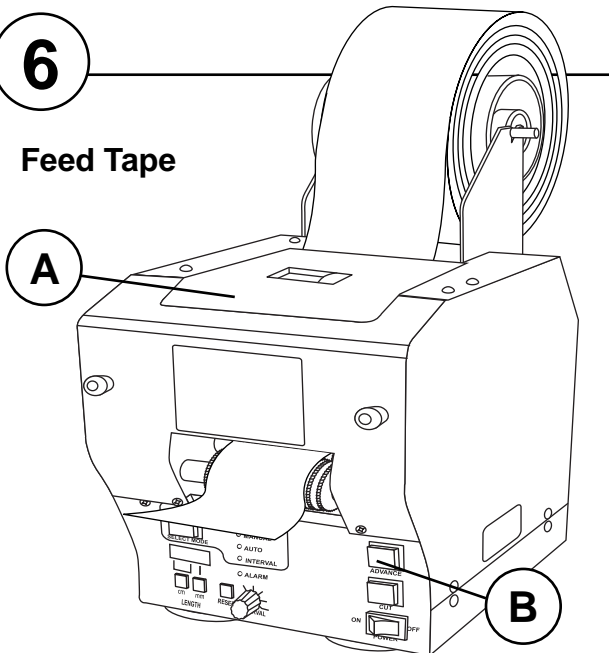


A: Choose desired operation mode:

- FEED
- MANUAL (feed & cut)
- AUTO (feed & cut)
- INTERVAL (feed & cut)

6

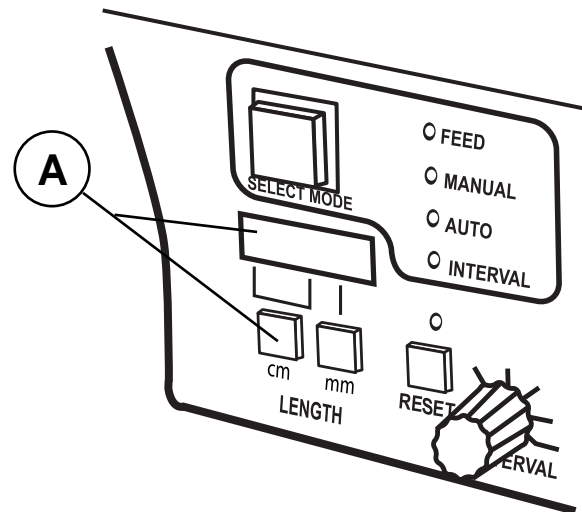
Feed Tape



A: Close top panel door

B: Press advance button to feed tape

8



A: Set desired tape length by pushing cm or mm buttons.

Need more help? Download the full manual or contact us

TDA150



Quick Start Guide



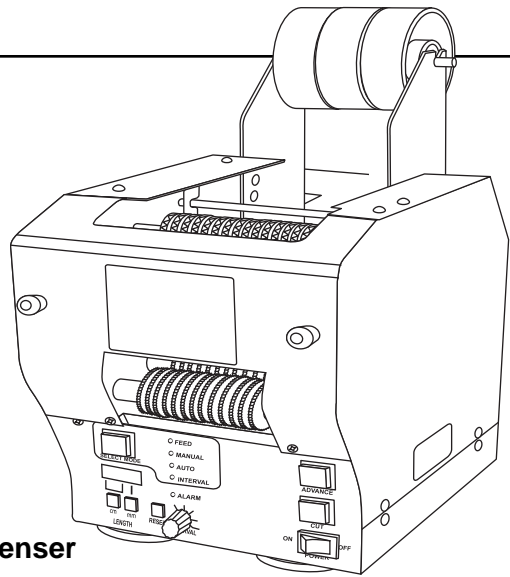
4270 Airborn Dr. Addison, TX 75001, U.S.A.
972.248.1999 | tech@startinternational.com

➔ STARTinternational.com

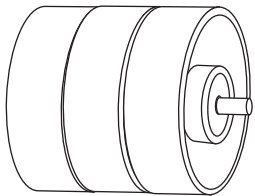
TDA150

Electric Tape Dispenser

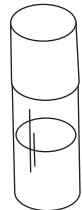
ITEMS INCLUDED



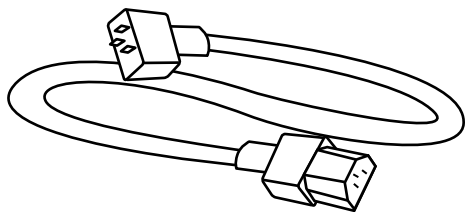
Dispenser



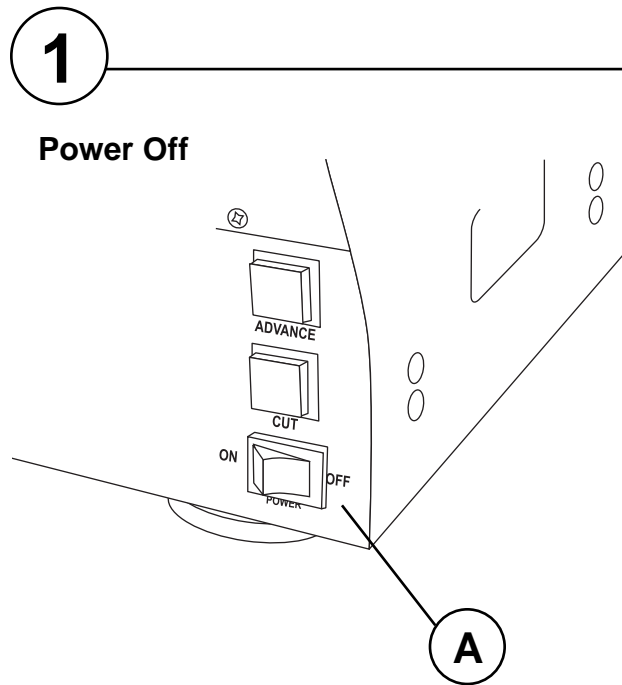
Core Holder



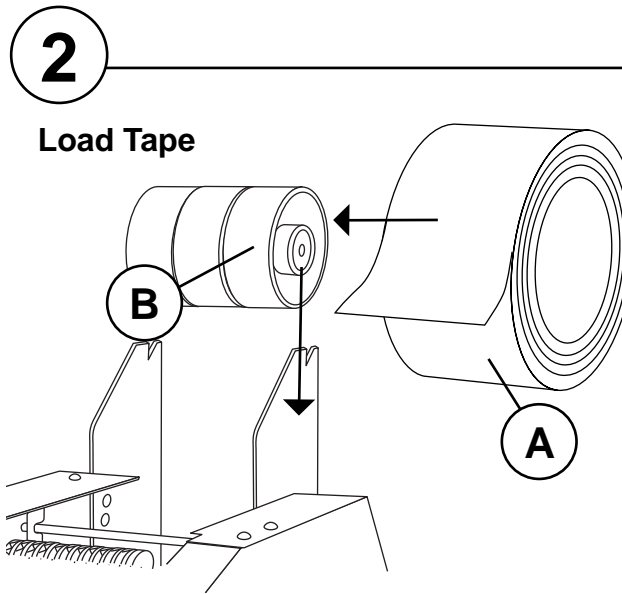
Silicon Oil



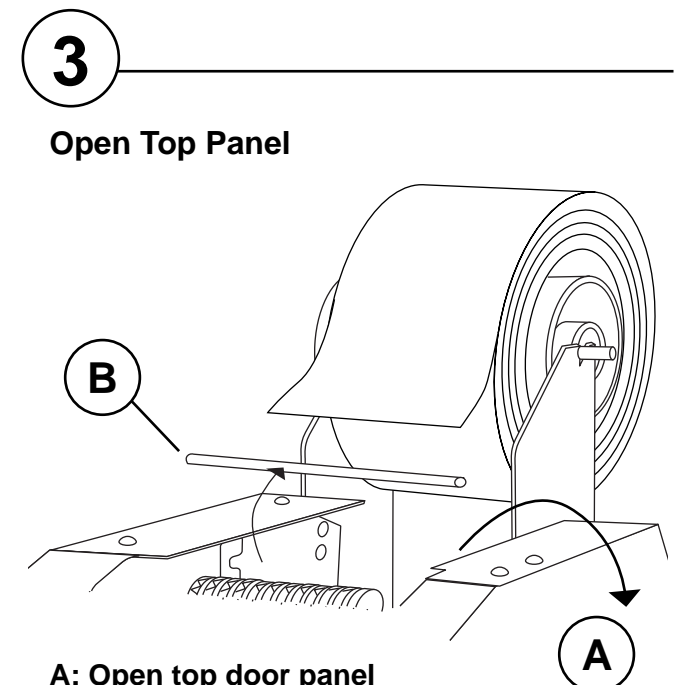
Power Cord



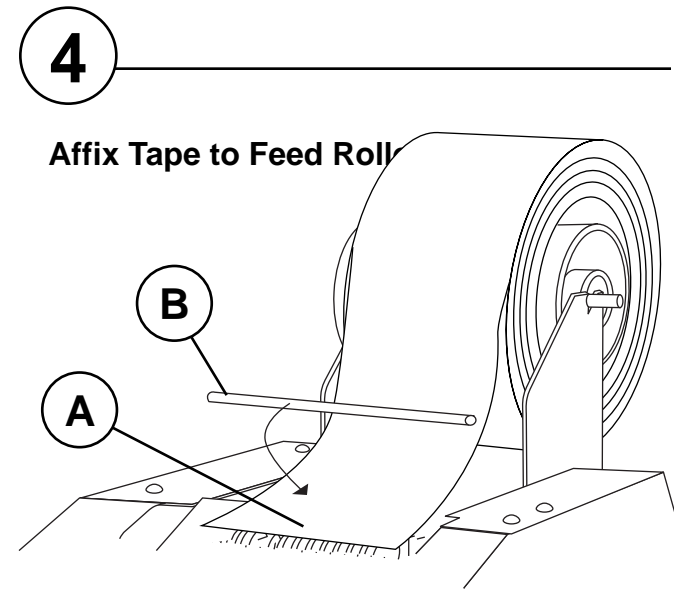
A: Ensure power button is set to off



A: Slide tape roll onto core holder
B: Place loaded core on holding bracket



A: Open top door panel
B: Remove tape shaft from unit



A: Affix tape onto feed roller
B: Re-insert tape shaft into guide