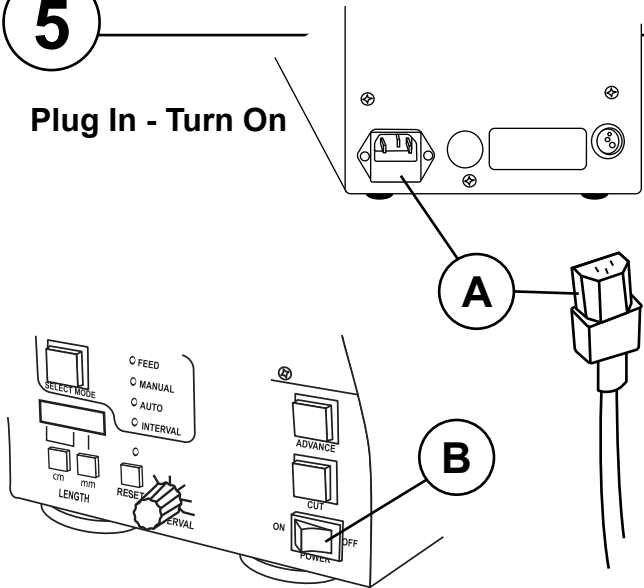


5

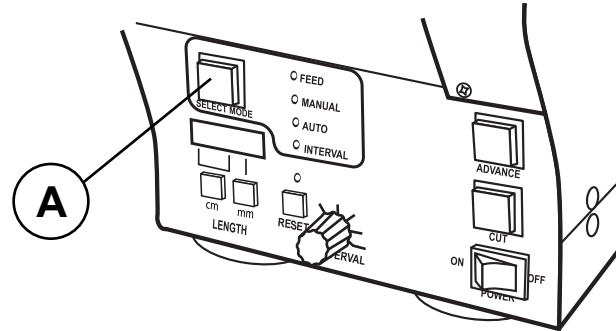
Plug In - Turn On



- A:** Connect power cord (in back)  
**B:** Press power switch (on front) to turn on the machine

7

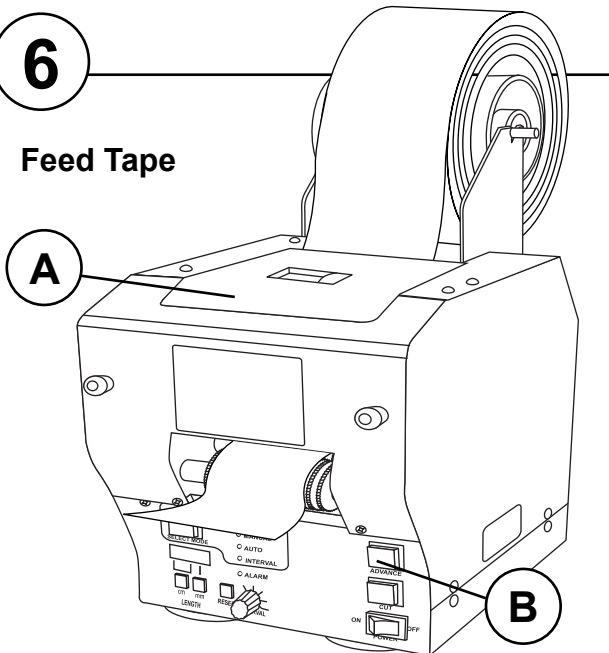
Select Mode



- A:** Choose desired operation mode:  
 - FEED  
 - MANUAL (feed & cut)  
 - AUTO (feed & cut)  
 - INTERVAL (feed & cut)

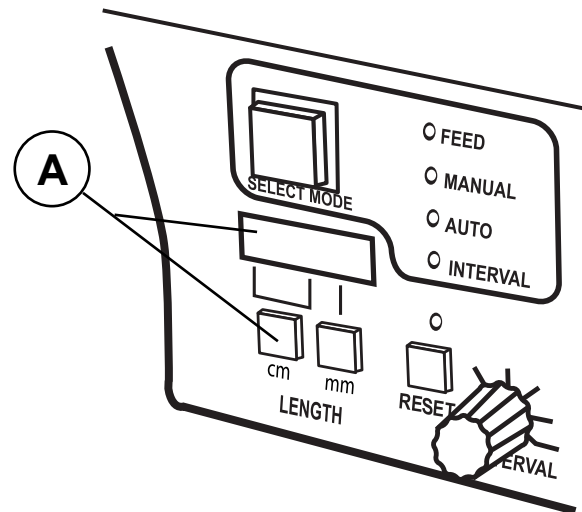
6

Feed Tape



- A:** Close top panel door  
**B:** Press advance button to feed tape

8



- A:** Set desired tape length by pushing cm or mm buttons.

Need more help? Download the full manual or contact us

TDA150



Quick Start Guide



**START**<sup>®</sup>  
International

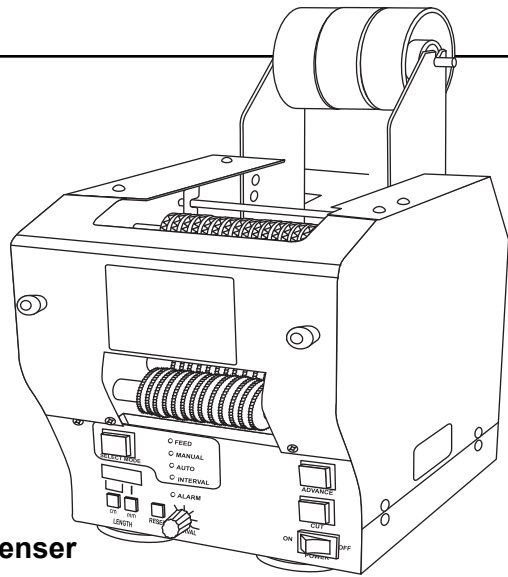
4270 Airborn Dr. Addison, TX 75001, U.S.A.  
 972.248.1999 | tech@startinternational.com

➔ [STARTinternational.com](http://STARTinternational.com)

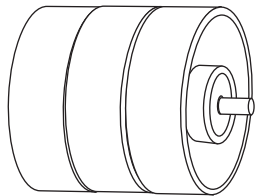
# TDA150

## Electric Tape Dispenser

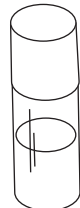
### ITEMS INCLUDED



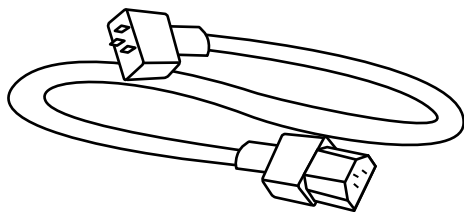
Dispenser



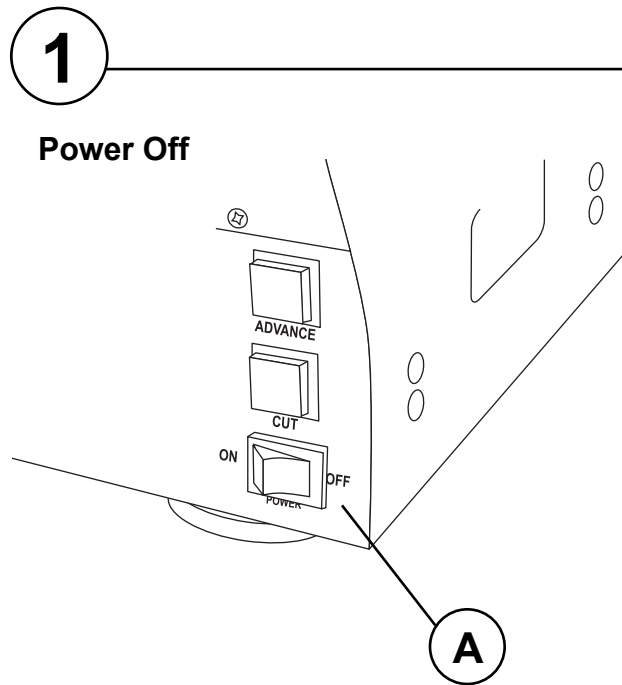
Core Holder



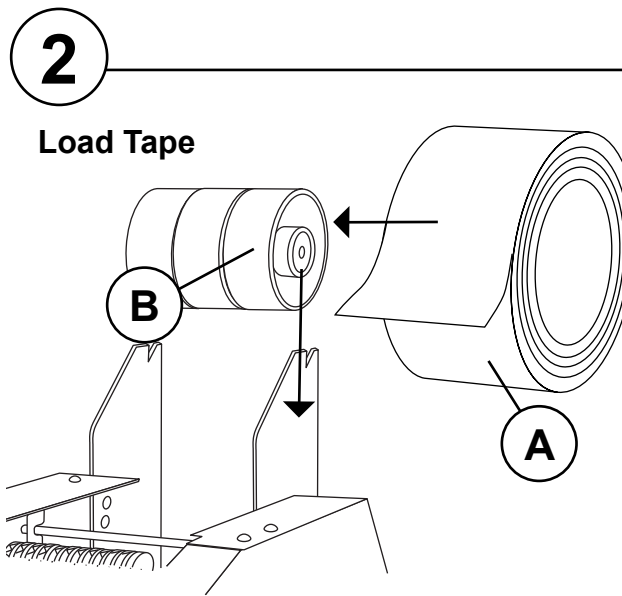
Silicon Oil



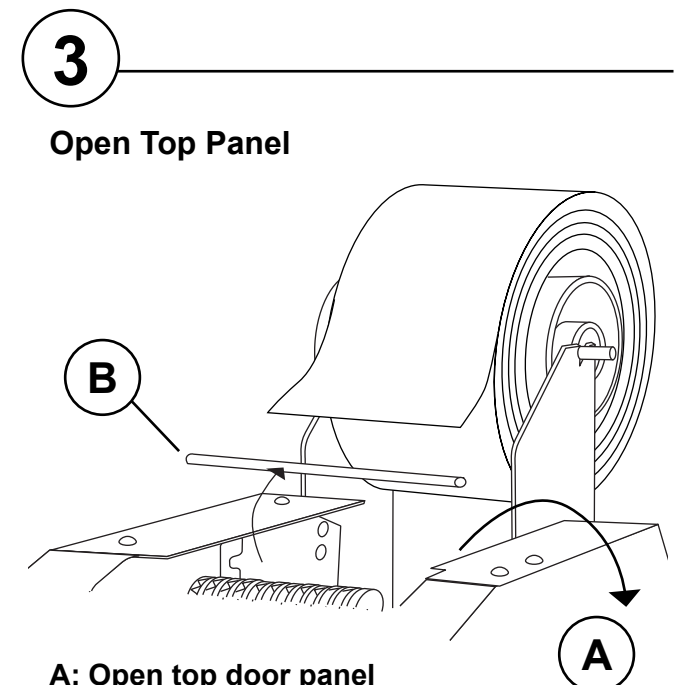
Power Cord



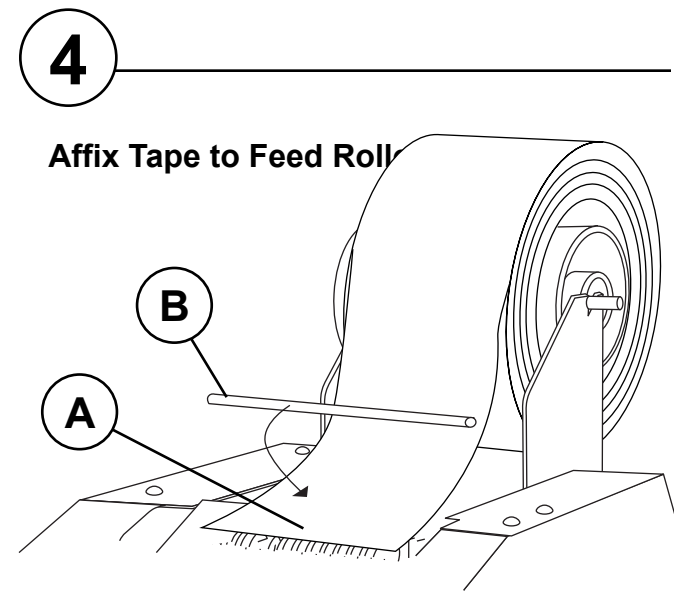
A: Ensure power button is set to off



A: Slide tape roll onto core holder  
B: Place loaded core on holding bracket



A: Open top door panel  
B: Remove tape shaft from unit



A: Affix tape onto feed roller  
B: Re-insert tape shaft into guide