

TDA025

instructions

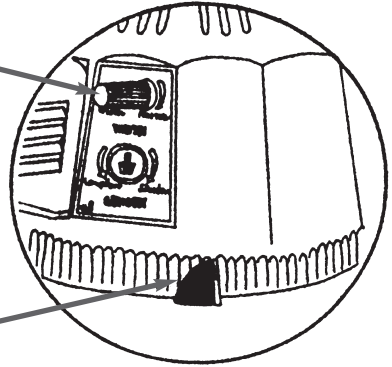


THE
TAPE
DISPENSER
BY START INTERNATIONAL

TDA025 OVERVIEW

KNOB FOR CUT-PIECE SPACING 51

MANUAL LEVER 66



TURN TABLE 1

START SWITCH 2

LOWER BLADE 21

SAFETY COVER 14

UPPER BLADE 25

ARM FRAME 42

BOBBIN 69

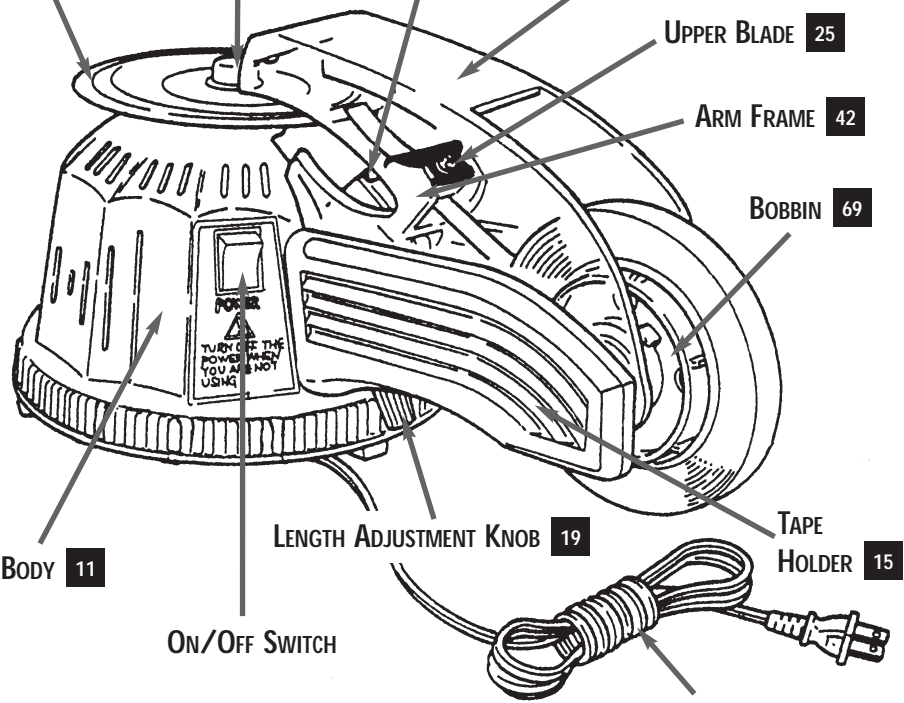
BODY 11

LENGTH ADJUSTMENT KNOB 19

TAPE HOLDER 15

ON/OFF SWITCH

POWER CORD



INTRODUCTION

Thank you for buying our automatic tape dispenser. The TDA025 can automatically cut and dispense many types of tape. Before using, please read this instruction manual carefully.

BEFORE USE

1. Make sure the ON/OFF switch is turned to the “off” position before you plug the TDA025 in.
2. When you load the tape, make sure that the ON/OFF switch is “off”.
3. The blades are *very* sharp. When the TDA025 is in operation, make sure the safety cover is down.
4. When there are finger marks, oils, and/or dirt on the carousel, the tape won't stick properly so use a dry cloth to clean the carousel.

Note: For major cleaning, wipe the carousel off with benzene or alcohol.
(Never clean it with thinner).

5. To avoid shortening the life of the motor, run the TDA025 *without* tape as little as possible.
6. This is an industrial tape dispenser. It is not for home use. Do not use around children.
7. The TDA025 can be used efficiently by one or two people. Allow the motor to rest from time to time.

HOW TO SET THE BOBBIN

1. The ON/OFF switch must be "off".

Note: When not in use, unplug the TDA025.

2. Choose the right bobbin **69** for the tape

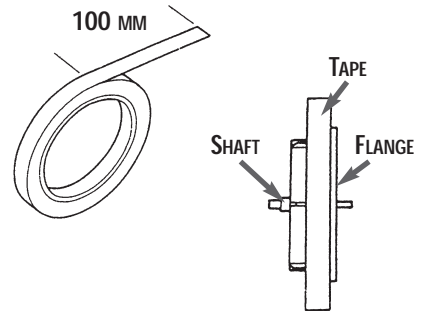
Note: Internal diameter – 25, 32 and 78 mm
Outside diameter – Up to 130 mm

3. Put the tape on the bobbin.

Note: Check the direction of the bobbin, and push the tape to the limit of the flange.

4. Pull out approximately 100 mm of tape. Put the bobbin on the tape holder **15**.

Note: If there is space between the tape core and bobbin, wrap a piece of tape around the bobbin to make it fit.

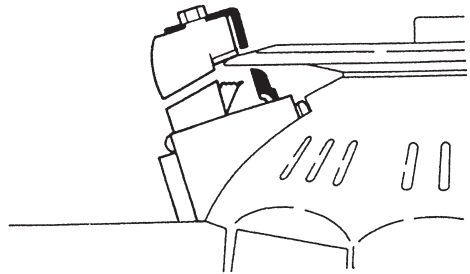


HOW TO SET THE TAPE

1. The ON/OFF switch must be "off". Open the safety cover **14**. Move the arm frame **42** using the manual lever **66**.

2. Set the blades as if they were going to "bite" the carousel.

3. Bring the arm frame **42** away from the carousel.

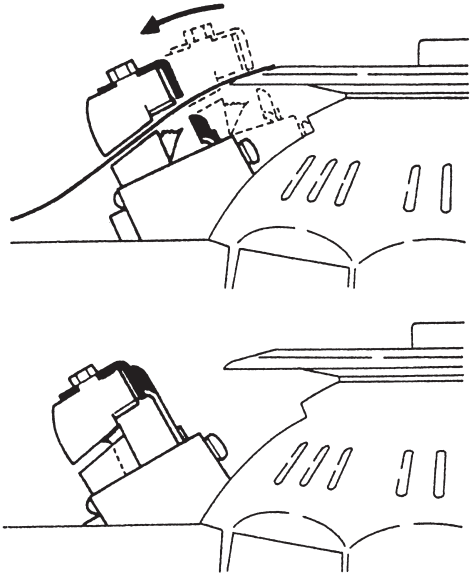


HOW TO SET THE TAPE - cont'd

4. Pull the tape through the blades and affix the tape to the carousel.

Note: When you stick the tape to the carousel, be sure to pull the tape all the way through the middle of the carousel and affix firmly.

5. If you haven't set the tape correctly, try repeating steps 1 through 4.



OPERATIONS

1. The ON/OFF switch must be "on".
2. Press the start switch **2** on the carousel. The cut pieces of tape will be distributed about half way around the carousel.
3. Before you begin operation, test the process by cutting two or three pieces. Check the precision length of the cut.
4. To make the tape feed all the way around the carousel, press the start switch **2** again.

Note: Once the carousel is full, be sure to remove the pieces of tape before you start the TDA025 again or else the tape will overlap.

5. If the motor overheats, the thermostat will automatically shut the TDA025 off. When that happens, let the motor cool before further use.
6. Whenever you open the safety cover **14** the TDA025 will stop automatically.

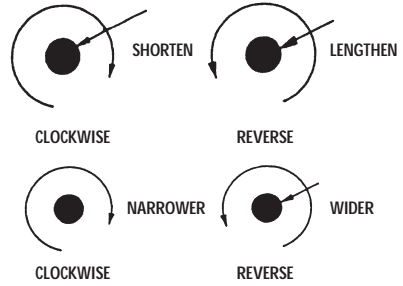
HOW TO REMOVE TAPE FROM THE CAROUSEL

Begin taking the tape off from the left side of the tape holder **15**, continue around clockwise.

HOW TO ADJUST THE TAPE

You can adjust the length and the cut piece spacing whether the TDA025 is "off" or "on".

1. Turn the length adjustment knob **19** to the desired tape length.
2. Turn the knob for the cut piece spacing **51** to the desired spacing.

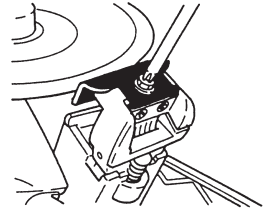


THE BLADES

The blades are consumables, and they will eventually dull. When this happens you should replace the blades. How long the blades last will depend on the quality and thickness of the tape you're using.

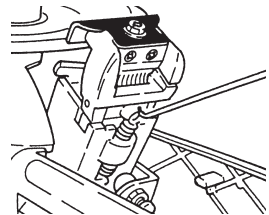
HOW TO REMOVE THE UPPER BLADE

1. Remove the 4mm screw.
2. Take off the upper blade.



HOW TO REMOVE THE ARM FRAME

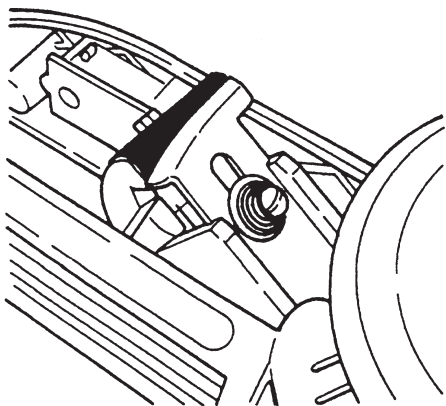
1. Remove the spring.
2. Raise the arm frame by using the manual lever **66**.
3. Pull the arm frame out.



HOW TO REMOVE THE LOWER BLADE

1. Remove the screw.
2. Pull out the lower blade.

Note: If you cannot take the lower blade off, use the manual lever to cycle the cutter, this will raise the lower blade.



PUTTING THE NEW BLADES ON

Perform the blade removal steps in reverse.
Be sure to *firmly* insert the lower blade and arm frame.

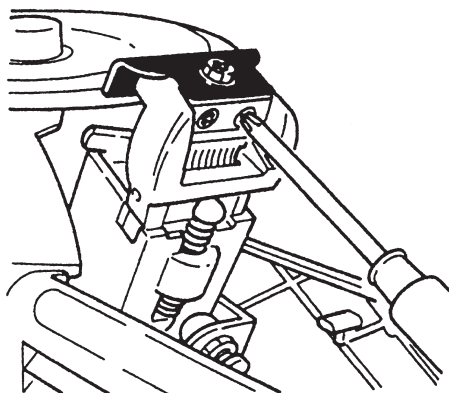
HOW TO ADJUST THE UPPER BLADE

1. Use the two adjustment screws behind the blade. Adjust the upper blade inward by alternately tightening the two screws.

Note: If you force the blade out, it might collide with the lower blade.

2. Load the tape and try to cut it.
3. Once the adjustments are correct, tighten the top screw firmly.
4. Try to cut the tape again. If the tape cuts, you have performed the adjustment correctly.

Note: If the tape is not cut perfectly, turn the adjustment screw a little at a time to further adjust the blade.



MAINTENANCE

If you have been using the TDA025 for a long time, glue from the tape starts sticking to the blades, and it becomes harder to cut. Remove the glue with benzene or alcohol.

If the tape won't stick to the carousel, press some tape sticky-side down onto the carousel. This will remove any dirt on the carousel.

WARRANTY INFORMATION AND SERVICE

Start International warrants all parts on the TDA025 tape dispenser against defects in design, materials and workmanship for a period of 180 days. Parts excluded from this are, cutting blades, as these parts are considered "wear parts". Labor to replace defective parts will be performed at no charge for the first 90 days after date of purchase.

Our sole obligation under this warranty is limited to repair, replacement, or credit of the purchase price, at our option, for the TDA025, which does not perform properly the function for which it was designed.

Warranty repair is contingent upon our examination and determination that alleged defects have not been caused by misuse, abuse, improper installation or application, repair, alteration, accident or neglect in use, storage, transportation, or handling.

The above warranty and remedy constitutes Start International's sole liability hereunder and are in lieu and exclusive of all other warranties and remedies expressed, implied or statutory, including, but not limited to, those of merchandisability and fitness for a particular purpose.

REPAIR POLICY

- Contact START INTERNATIONAL to determine nature of problem.
- Furnish START with the following information:
 1. Who you purchased the TDA025 from.
 2. Model number and serial number.
 3. Date purchased (copy of invoice or packing slip required).
- START will issue an RMA (Return Material Authorization) for the repair.
- TDA025 will be returned to START with a purchase order for \$25 to cover the evaluation cost. The \$25 evaluation fee will be applied to the repair charge.
- All machines must be sent by UPS, insured and prepaid.
- START will notify the customer if there is a repair charge.

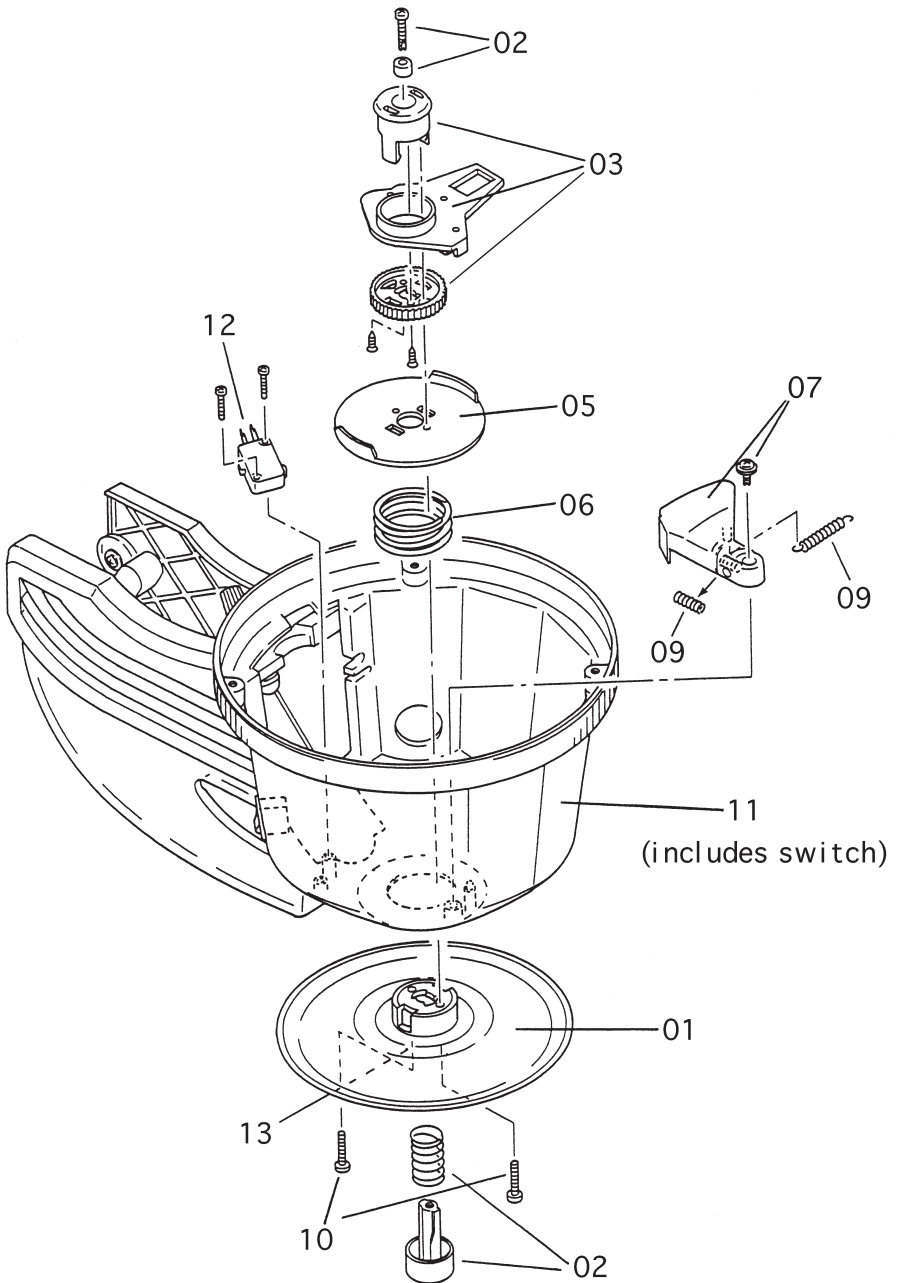
WARNINGS

- Be careful when removing tape from the TDA025, if you accidentally move the carousel the TDA025 may start up again.
- When not in use, switch the TDA025 “off” and unplug it.
- When performing any maintenance, make sure the TDA025 is “off”.
- Do not pick the TDA025 up by the carousel.
- The TDA025 is designed for tape cutting *only*. Please don't try to cut anything else.

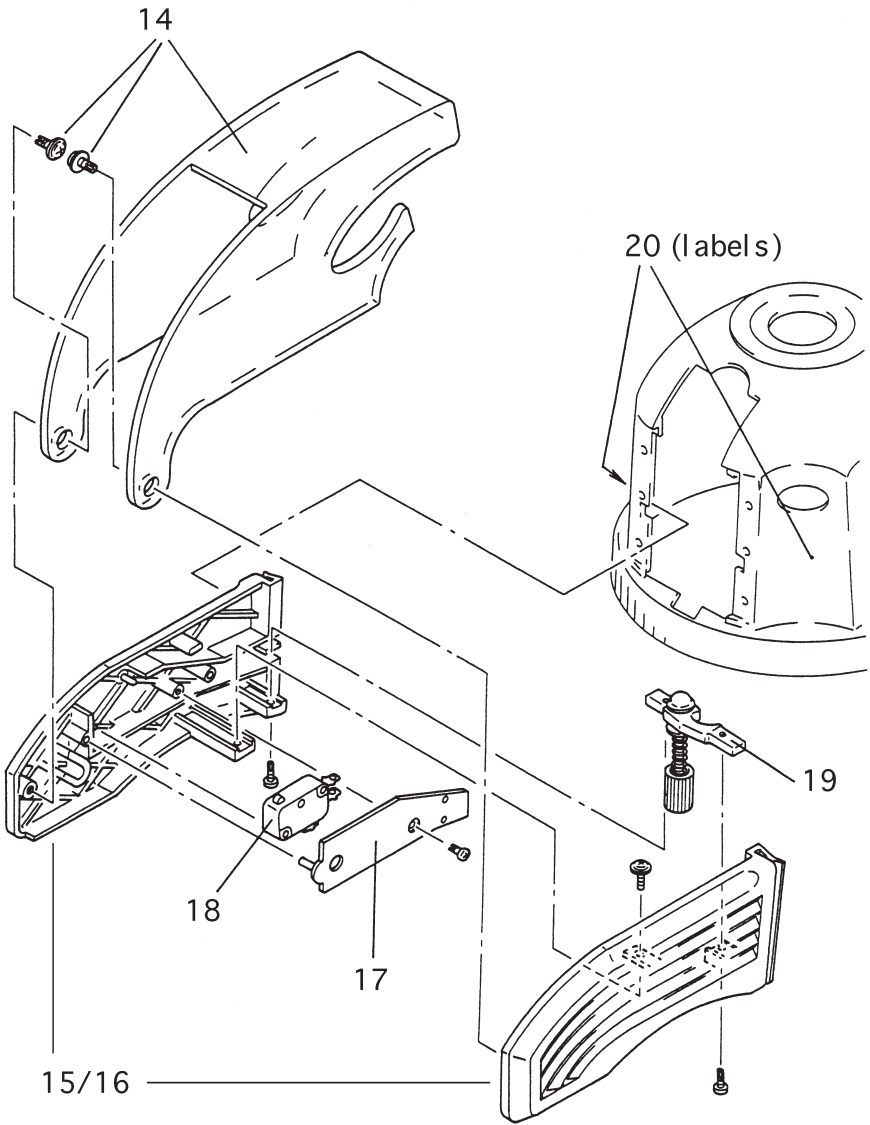
SPECIFICATIONS

Cutting Length	From 13 mm to 60 mm (.51 to 2.36")	
Tape Width	From 3 mm to 25 mm (.12 to .98")	
Core and Roll Size	Internal Diameter – 25, 32, and 75 mm (1, 1.25, and 3") Outside Diameter – Up to 130 mm (5") (When you use Extension Stand – maximum outside diameter is 170 mm (6.7"))	
Recommended Tapes	Vinyl Tape Polyethylene Tape Teflon Tape Paper Tape Cotton Cloth Tape Mylar Tape Double Sided Tape And More!	Cellophane Tape Masking Tape Nomex Tape Acetate Cloth Tape Glass Cloth Tape Aluminum Foil Tape Soft Forming Tape
Optional	Extension Stand	
Power Requirement	AC 100V, 120V, 220-240V 50/60Hz 160W	
Dimensions	300(W) x 165(H) x 170(D) mm (11.8(W) x 6.5(H) x 6.7" (D))	
Weight	2.85kgs. (6.4#)	

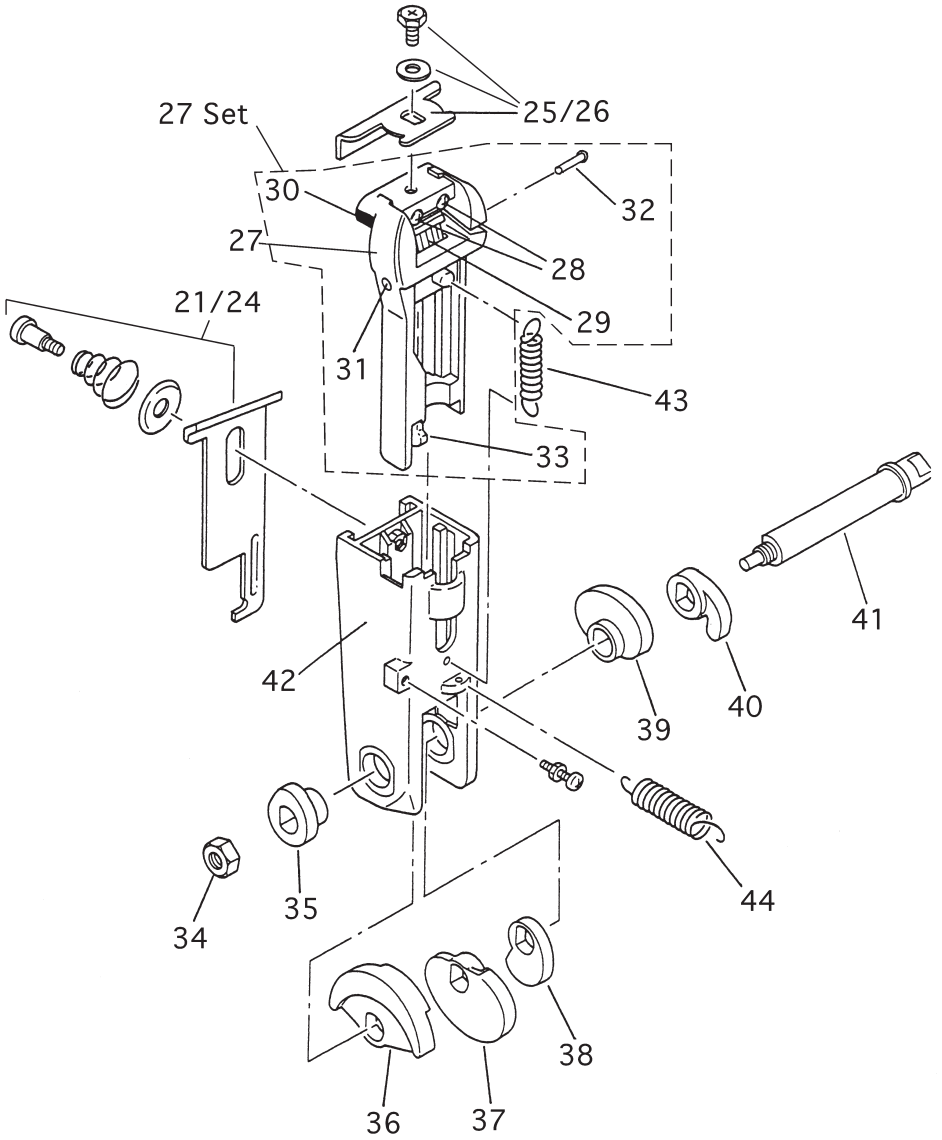
PARTS



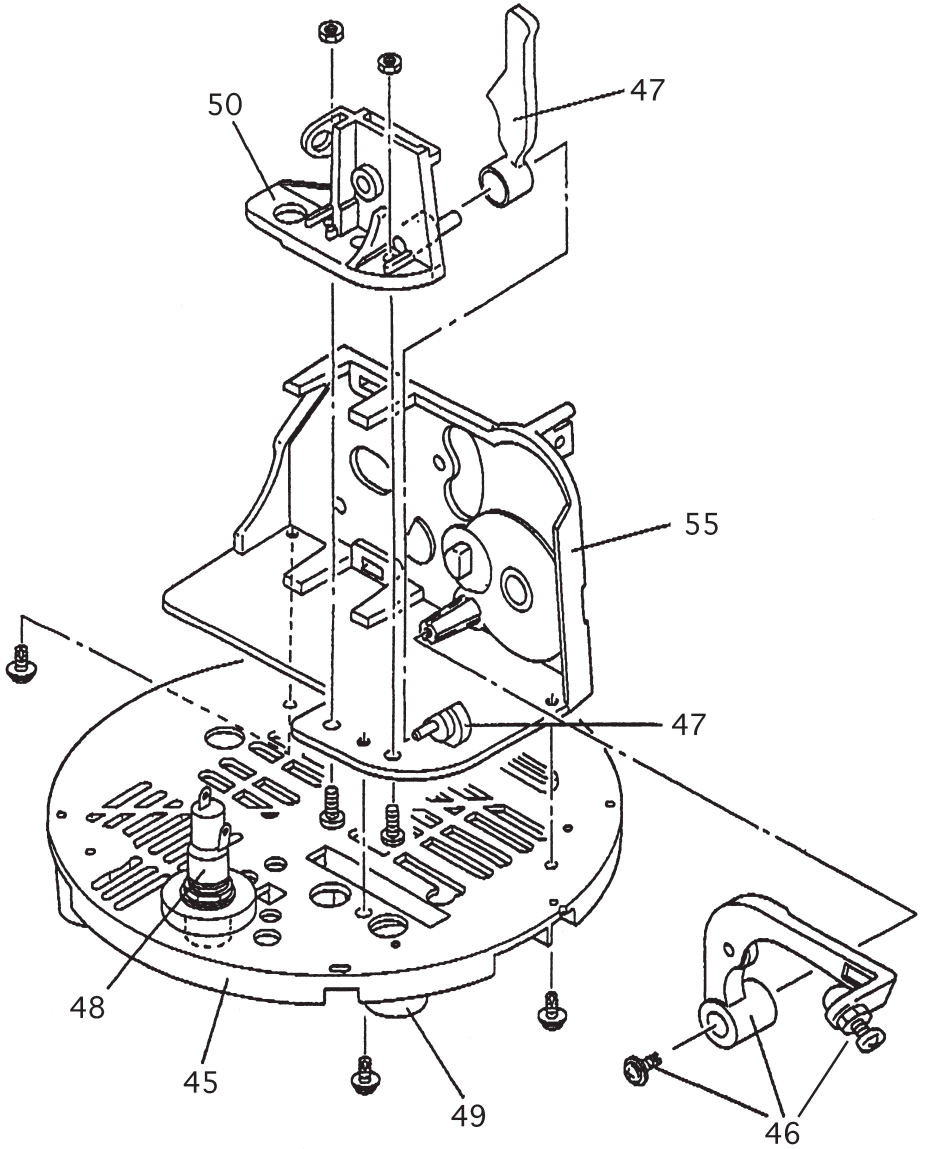
PARTS



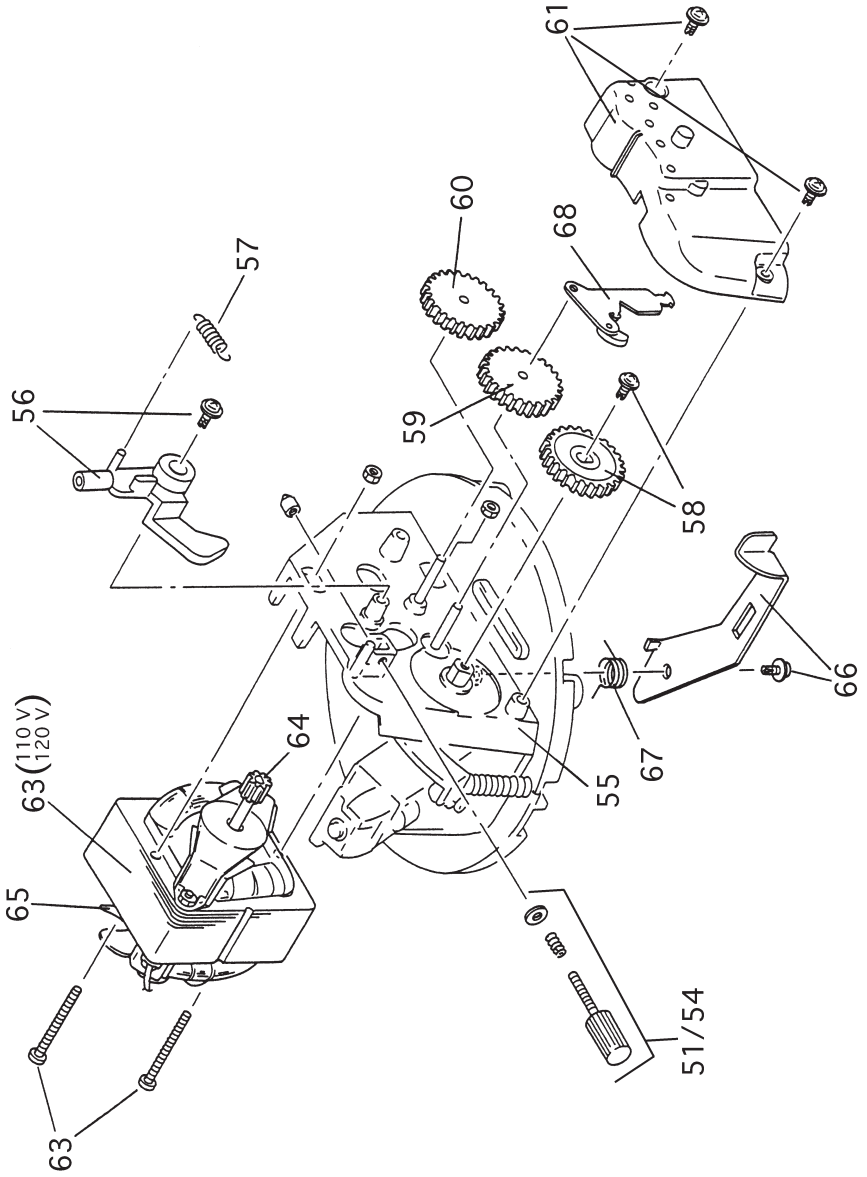
PARTS



PARTS



PARTS





START[®]

I n t e r n a t i o n a l

4270 Airborn Drive

Addison, TX 75001, USA

Toll Free 800.259.1986

Tel 972.248.1999

Fax 972.248.1991

info@startinternational.com

www.startinternational.com