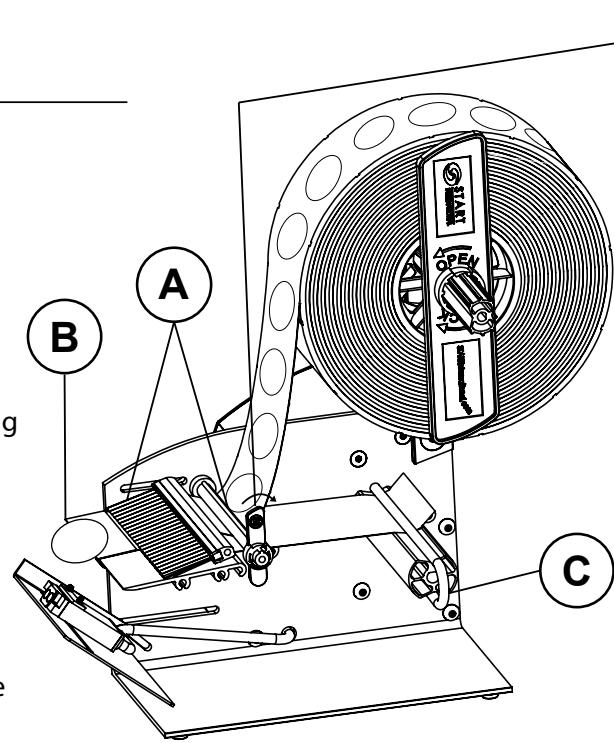




**5**

**Load Dispenser**

- A: Feed label liner **under** guide rod and brush
- B: Bend liner **around** strip plate and take-up hub (label will hang slightly over edge for lifting)
- C: Slide lock rod back into take-up hub to secure liner
- D: Slide small hub lock into guide rod and rotate clockwise **lightly** until it locks into place



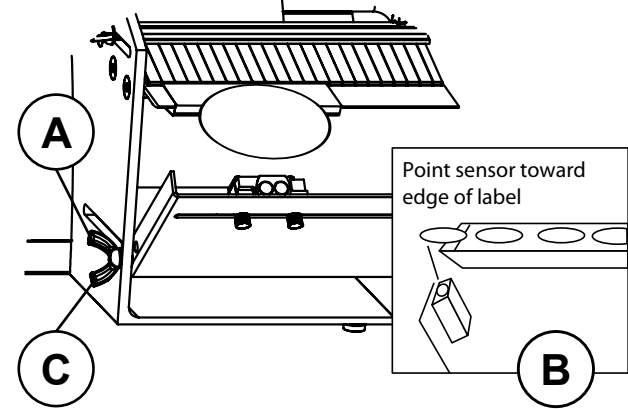
**D** How To Use Small Hub Lock

Slide the hub lock into the rod

Turn the hub lock clockwise lightly until it locks into place

**6**

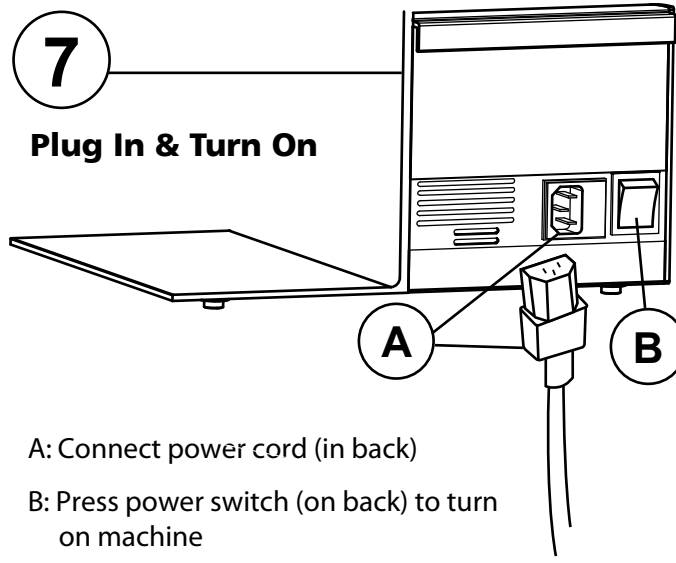
**Adjust Sensor**



- A: Loosen wingscrew to adjust sensor plate
- B: Point sensor towards front edge of label
- C: Tighten wingscrew to secure sensor plate in place

**7**

**Plug In & Turn On**



- A: Connect power cord (in back)
- B: Press power switch (on back) to turn on machine

**Now you're ready to roll.**

**QuickSTART Guide**



LD6050 Model Shown

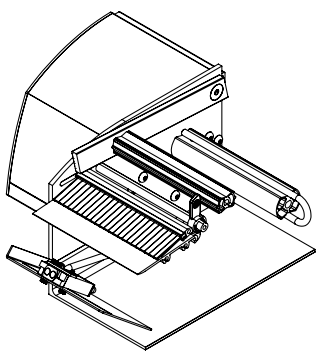
- LD6025
- LD6050
- LD6100
- LDX6025
- LDX6050
- LDX6100

Need more help? Download the full manual or contact us. →

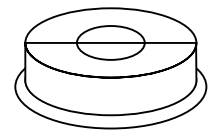
**LD6025, LD6050, LD6100**  
**LXD6025, LXD6050, LXD6100**

**Electric Label Dispenser**

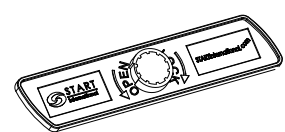
**ITEMS INCLUDED**



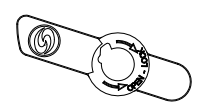
Hex Wrench



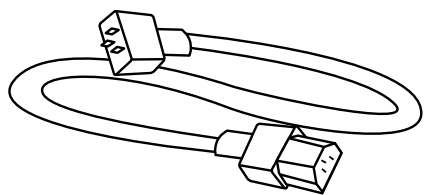
Core Holders (2)



Large Hub Lock



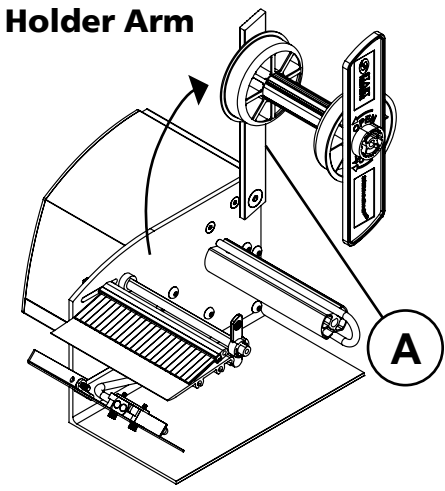
Small Hub Lock



Power Cord

**1**

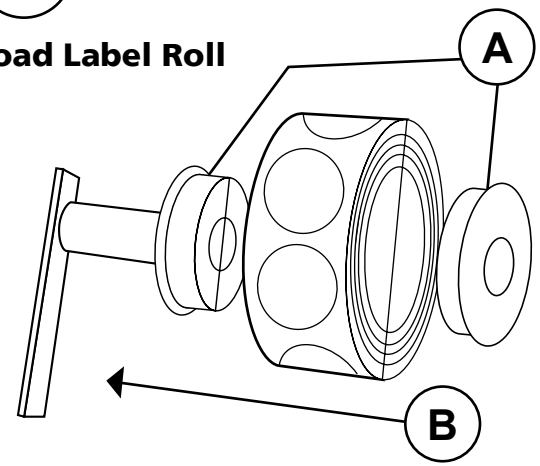
**Lift Reel Holder Arm**



A: Lift reel holder arm slightly past 90° angle and lock into position using provided hex wrench

**2**

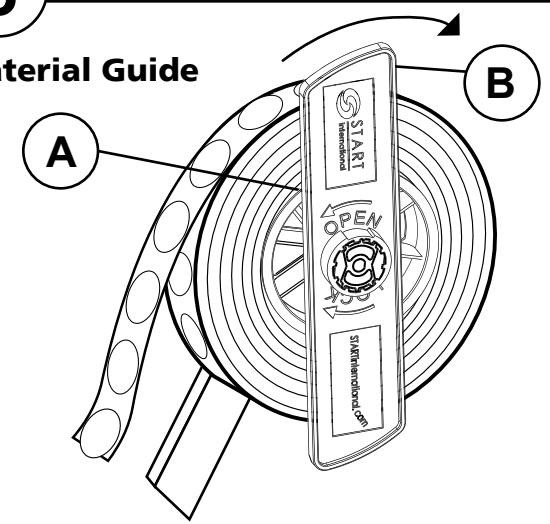
**Load Label Roll**



A: Insert core holders (2) into each side of your label roll  
B: Slide loaded roll into reel hanger bar

**3**

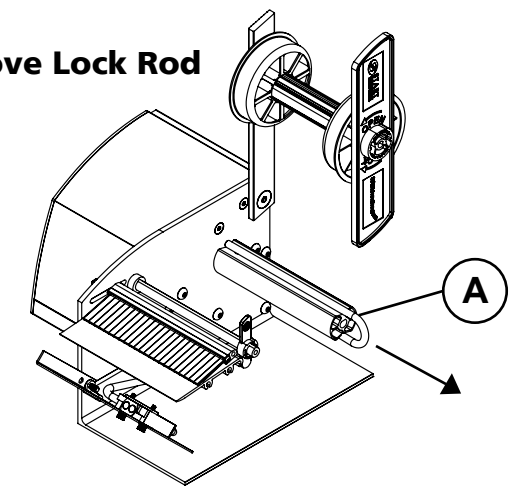
**Material Guide**



A: Slide large hub lock into reel hanger bar to secure label roll  
B: Rotate the large hub lock **lightly** clockwise until it locks into place

**4**

**Remove Lock Rod**



A: Slide lock rod off take-up hub