

LD6000 Series

Product Manual



LD6025 LD6050 LD6100



Made by START International
©2014

CONTENTS

Read this user's manual before use to ensure proper operation. Keep the manual on hand for reference in case there is a problem.

Warranty Information	2
Features	3
Notes	3
Repair Policy	3
Specifications	3
Set-up & Operation	4
Safety	5
Maintenance	6
Exploded View	6

WARRANTY POLICY FOR LD SERIES LABEL DISPENSERS

START International warrants all parts on LD series label dispensers against defects in design, materials and workmanship for a period of 360 days. Labor to replace defective parts will be performed at no charge for the first 180 days after date of purchase. Warranty does not cover transportation costs.

Our sole obligation under this warranty is limited to repair, replacement or credit of the purchase price, at our option, for the machines listed above, which do not perform properly the function for which they were designed.

Warranty repair is contingent upon our examination and determination that alleged defects have not been caused by misuse, abuse, improper installation or application, repair, alteration, accident or neglect in use, storage, transportation or handling.

The above warranty and remedy constitutes START International's sole liability hereunder and are in lieu and exclusive of all other warranties and remedies expressed, implied, or statutory, including, but not limited to, those of merchantability and fitness for a particular purpose.

FEATURES

- Will dispense butt-cut and die-cut material.
- Adjustable photosensor for pinpoint accuracy.
- Handled lock rod makes scrap removal easy.
- No tools required for adjustment.
- Hanging capability with optional LDHANGER. (Needs to be secured properly)

NOTES

- Keep strip plate free of adhesive build-up.
- Clean photosensor with compressed air or dry cloth.
- Do not drop the dispenser or subject it to heavy shock.
- Turn off machine when not in use.

REPAIR POLICY

Contact START International to determine the nature of the problem.

Supply START with the following information:

1. Who the unit was purchased from.
2. Model number and serial number.
3. If available, date purchased and copy of invoice or packing slip.

START will issue a RMA (Return Materials Authorization) for repair.

Return machine to START, insured and prepaid.

START will notify the customer if there is a repair charge.

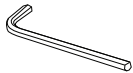
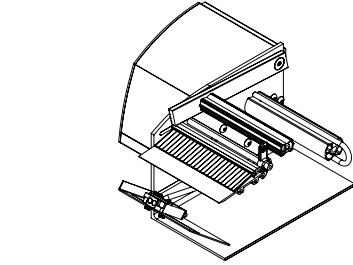
SPECIFICATIONS:

Model#	LD6025	LD6050	LD6100
Liner Capacity Width	.25" to 4.5" (6mm to 114mm)	.25" to 4.5" (6mm to 114mm)	.25" to 4.5" (6mm to 114mm)
Label Length	.125" to 6" (3mm to 152mm)	.50" to 6" (13mm to 152mm)	.50" to 6" (13mm to 152mm)
Roll Capacity	12" (31cm)	12" (31cm)	12" (31cm)
Feed Speed*	1.6"/sec (4cm/sec)	3.3"/sec (8cm/sec)	6.6"/sec (17cm/sec)
Dimensions Inches	10.6 (W) x 8.9 (L) x 12.8 (H)	10.6 (W) x 8.9 (L) x 12.8 (H)	10.6 (W) x 8.9 (L) x 12.8 (H)
Centimeters	26.8 (W) x 22.6 (L) x 32.5 (H)	26.8 (W) x 22.6 (L) x 32.5 (H)	26.8 (W) x 22.6 (L) x 32.5 (H)
Weight	7 lbs (3.2kg)	9 lbs (4.1kg)	9 lbs (4.1kg)
Electrical Requirements	100/120V 50/60Hz, <1 amp 230V 50/60Hz C€ available)	100/120V 50/60Hz, <1 amp 230V 50/60Hz C€ available)	100/120V 50/60Hz, <1 amp 230V 50/60Hz C€ available)

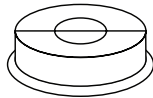
*at start-up

SET-UP INSTRUCTIONS

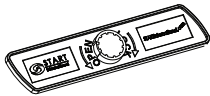
ITEMS INCLUDED



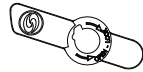
Hex Wrench



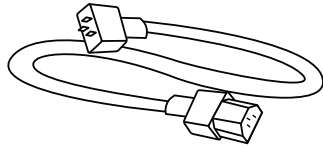
Core Holders (2)



Large Hub Lock



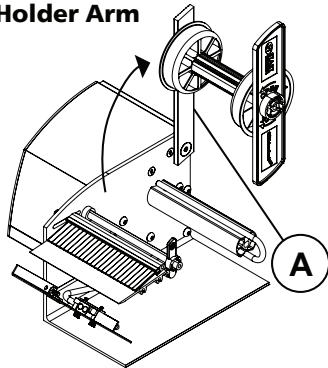
Small Hub Lock



Power Cord

1

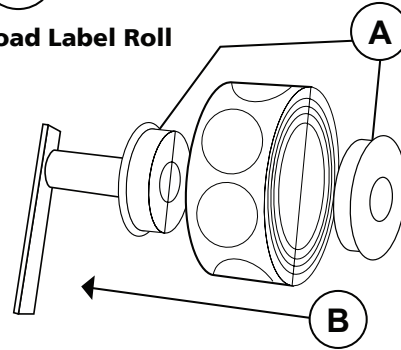
Lift Reel Holder Arm



A: Lift reel holder arm slightly past 90° angle and lock into position using provided hex wrench

2

Load Label Roll

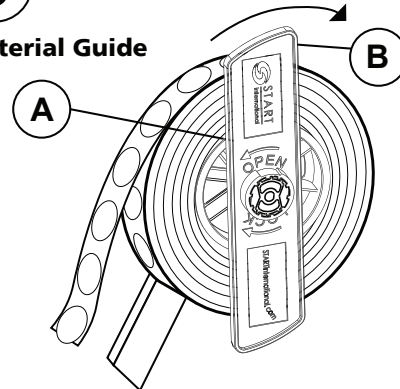


A: Insert core holders (2) into each side of your label roll

B: Slide loaded roll into reel hanger bar

3

Material Guide

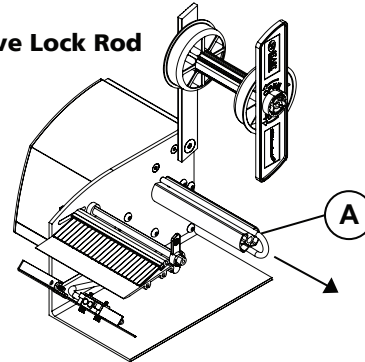


A: Slide large hub lock into reel hanger bar to secure label roll

B: Rotate the large hub lock **lightly** clockwise until it locks into place

4

Remove Lock Rod



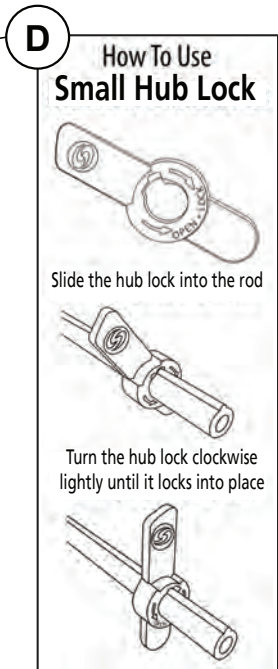
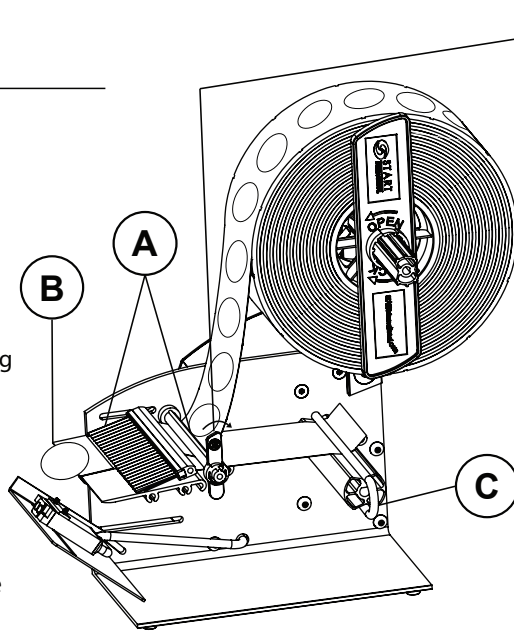
A: Slide lock rod off take-up hub

SET-UP INSTRUCTIONS

5

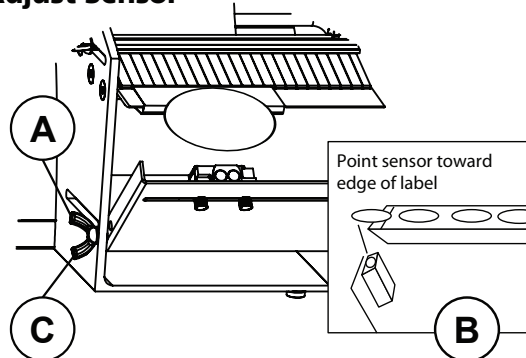
Load Dispenser

- A: Feed label liner **under** guide rod and brush
- B: Bend liner **around** strip plate and take-up hub (label will hang slightly over edge for lifting)
- C: Slide lock rod back into take-up hub to secure liner
- D: Slide small hub lock into guide rod and rotate clockwise **lightly** until it locks into place



6

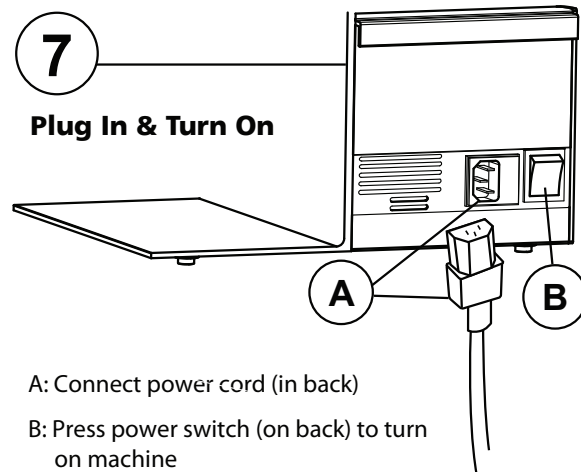
Adjust Sensor



- A: Loosen wingscrew to adjust sensor plate
- B: Point sensor towards front edge of label
- C: Tighten wingscrew to secure sensor plate in place

7

Plug In & Turn On



- A: Connect power cord (in back)
- B: Press power switch (on back) to turn on machine

Now you're ready to roll.

SAFETY

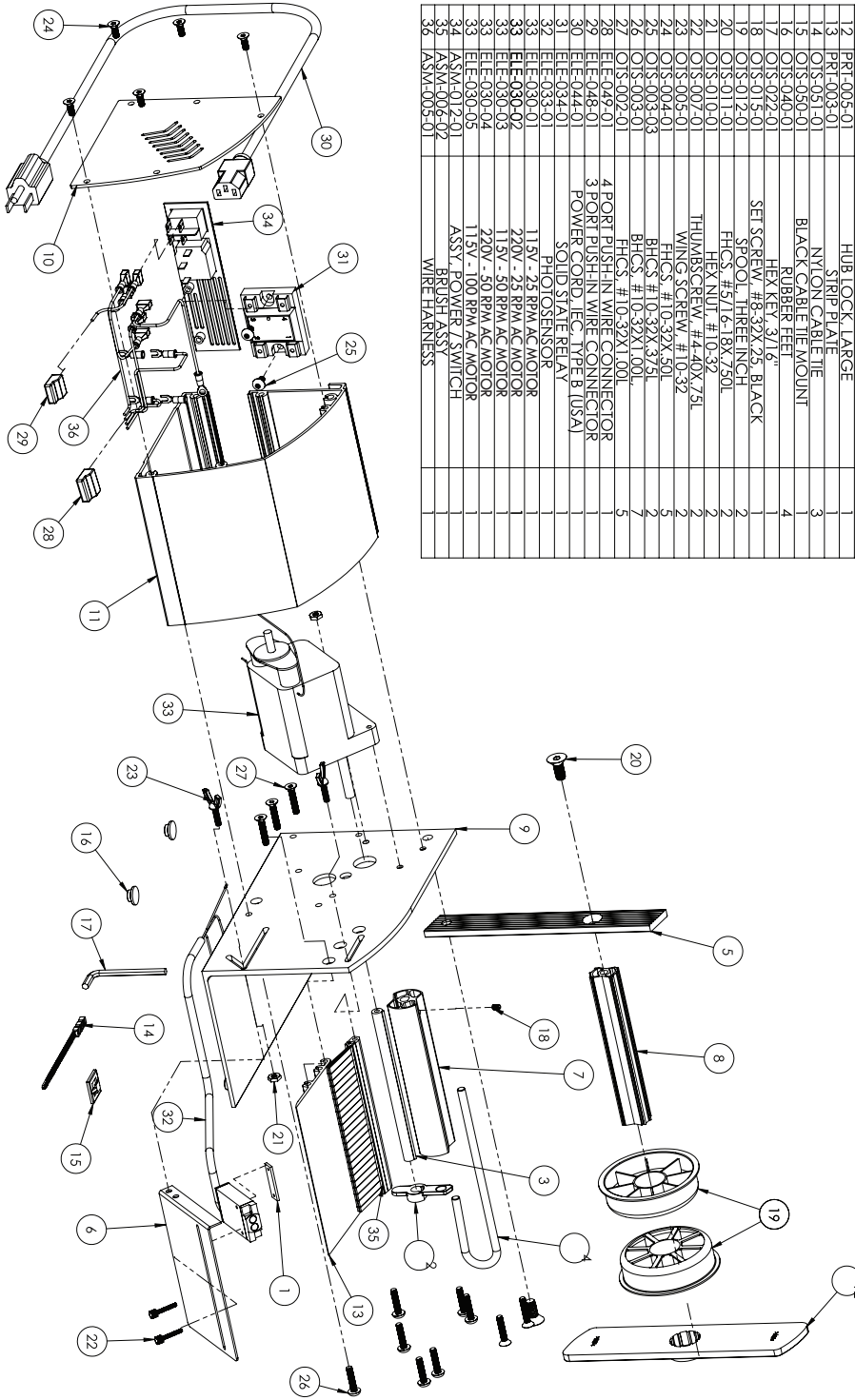


- Turn power OFF while loading and unloading.
- Do NOT stick finger in lock rod while machine is powered on.
- Beware of loose or dangling objects (i.e. lanyard, bracelet, hair) while machine is powered on.

MAINTENANCE

Turn machine off when not in use. Remove liner material from take-up hub at approximately 3" in diameter or if motor appears to be straining. Do not operate machine without covers in place. Do not operate if inspection reveals a damaged power or sensor cord.

EXPLODED VIEW



ITEM NO.	PART NUMBER	DESCRIPTION	QTY.
1	PR1-059-01	PHOTO SENSOR NUT PLATE	1
2	PR1-023-01	HUB LOCK	1
3	PR1-022-03	SHAFT, BUMPER GUIDE ROD	1
4	PR1-020-1-03	REEL HOLDER ARM	1
5	PR1-019-01	PHOTO SENSOR BRACKET	1
6	PR1-018-1-02	TAKE-UP HUB ROLLER 1.250"	1
7	PR1-017-1-02	ROLLER, ONE INCH	1
8	PR1-016-1-03	MAIN PLATE	1
9	PR1-014-01	END CAP	1
10	PR1-013-01	MOTOR COVER	1
11	PR1-011-01	HUB LOCK LARGE	1
12	PR1-005-01	SLIP PLATE	1
13	PR1-003-01	NYLON CABLE TIE	3
14	012-050-01	BLACK CABLE TIE MOUNT	4
15	012-050-01	HEX NUT #10-32X1.001"	1
16	012-040-01	RUBBER FEET	1
17	012-017-01	HEX NUT #8-32X1.6	1
18	012-015-01	SET SCREW #8-32X1.5 BLACK	1
19	012-011-01	SPD MOTOR #180V 50HZ	1
20	012-011-01	FLY WHEEL #180V 50HZ	1
21	012-010-01	THUMB SCREW #10-24X.75L	2
22	012-007-01	WING SCREW #10-32X.50L	2
23	012-006-01	HEX NUT #10-32X.50L	2
24	012-004-01	BHCS #10-32X.4375L	2
25	012-003-03	BHCS #10-32X1.001"	2
26	012-003-01	FHCS #10-32X1.001"	2
27	012-002-01	4 PORT PUSH IN WIRE CONNECTOR	5
28	012-002-01	3 PORT PUSH IN WIRE CONNECTOR	5
29	012-001-01	POWER CORD IEC TYPE B (USA)	1
30	012-044-01	SOLID STATE RELAY	1
31	012-034-01	PHOTO SENSOR	1
32	012-033-01	11.5V - 2.5 RPM AC MOTOR	1
33	012-030-01	220V - 2.5 RPM AC MOTOR	1
34	012-030-02	11.5V - 50 RPM AC MOTOR	1
35	012-030-03	220V - 50 RPM AC MOTOR	1
36	012-030-05	11.5V - 100 RPM AC MOTOR	1
37	AS2M-012-01	ASSY POWER / SWITCH	1
38	AS2M-005-02	BRUSH ASSY	1
39	AS2M-005-01	WIRE HARNESS	1



4270 Airborn Drive
Addison, TX 75001, U.S.A.

Tel +1 (972) 248-1999
Fax +1 (972) 248-1991
service@startinternational.com
www.STARTinternational.com

09/14
©2014