

# ZCM3000

## Electronic Tape Dispenser

### Instruction Manual

---



START International  
4270 Airborn Drive  
Addison, TX 75001, USA

Tel. 972.248.1999  
Fax. 972.248.1991

[info@startinternational.com](mailto:info@startinternational.com)  
[www.startinternational.com](http://www.startinternational.com)

Thank you so much for your buying at this time M-3000 Electric Tape Dispenser. This product was designed, as a higher ranking model for the affiliated models of Electric Tape Dispensers M-1000 and M-2000, to safely, quickly and accurately feed the tape in an optional length and cut automatically. Particularly, this tape dispenser is standardly equipped with the counter which has the calculating control function.

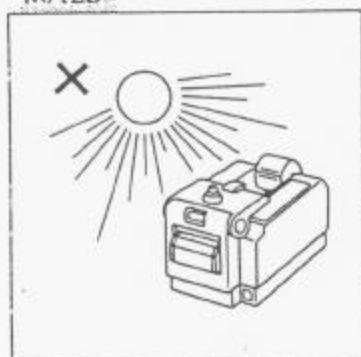
To use this tape dispenser properly, read this operation manual carefully before use.

\*Be sure to keep this operation manual for your reference.

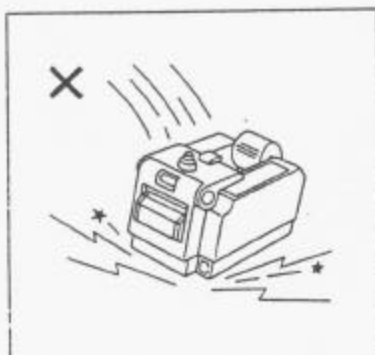
## CONTENTS

Notes.....	1
Features.....	2
Description of each part.....	2
Operations.....	3,4,5
Precautions.....	6,7
Specifications.....	8

### NOTES



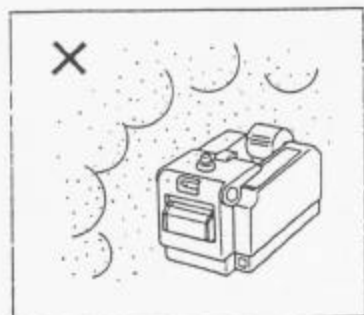
Do not leave the tape dispenser in direct sun light.



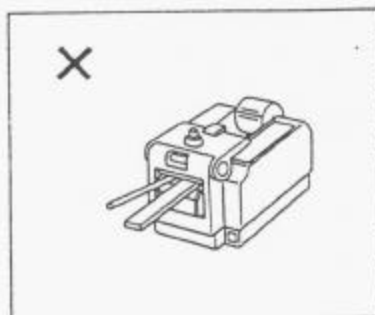
Do not drop the tape dispenser or subject it to heavy shocks.



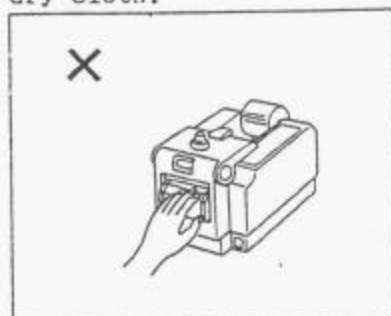
Do not use volatile liquids such as thinner, or wet duster etc. to clean the tape dispenser. But wipe it only with soft dry cloth.



Do not use the tape dispenser in humid or dusty place.



Do not insert bars or plates into the tape outlet.  
(This might damage the blade)

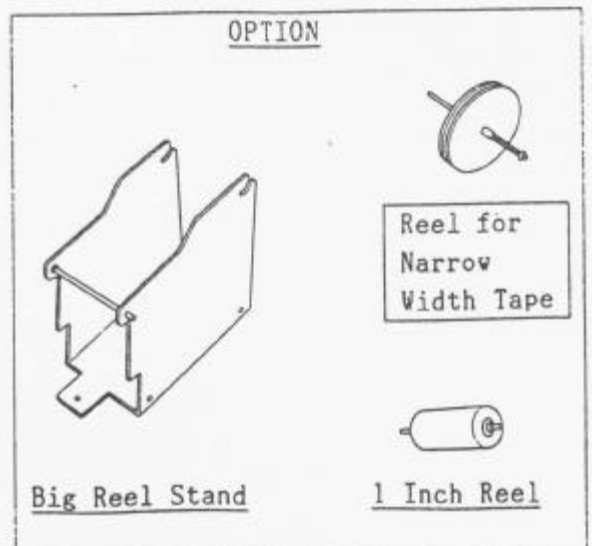
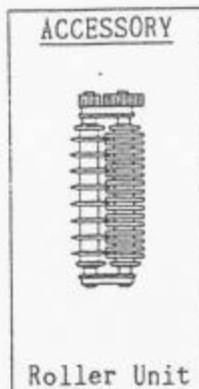
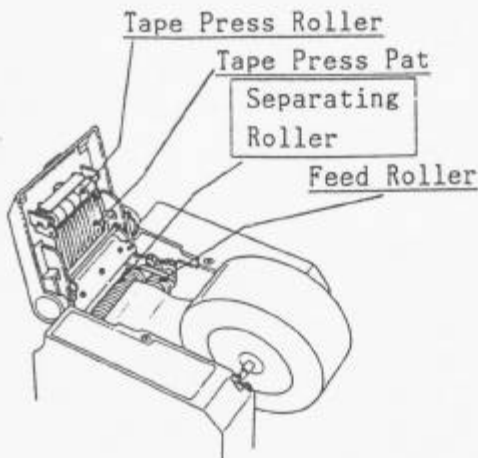
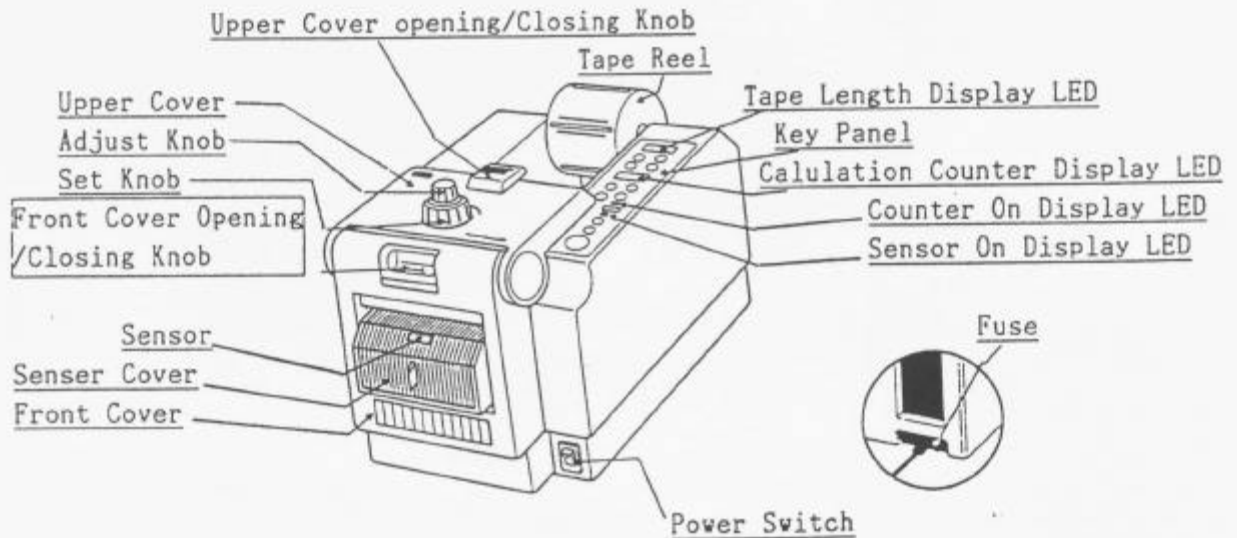


Do not insert your finger into the tape outlet.

## FEATURES

- By the auto feed cut mechanism, if you remove the tape from the tape outlet, the next tape at the set length will automatically come out and be cut.
- By the up-counter and down-counter standardly equipped, the calculation control will be possible.
- The memory functions for 3 kinds of tape lengths are standardly equipped. You will be able to use 2 different ways by the memory functions; one touch switch, or feed in order the tape up to 3 set lengths.
- The cutter was made in fluorine coated finish, which will be hard to stick adhesive materials.
- The length indication and count indication can be easily seen by LED display.
- In case a long tape is needed, the tape will be fed by keep pressing FEED key to the desired length.
- As the feed roller was made in replacing way, you will be able to use easier by selecting a proper feed roller according to the tape kind.
- A not-adhesive tape can be used, too.

## DESCRIPTION OF EACH PART



## OPERATION

### OPERATION TO SET TAPE

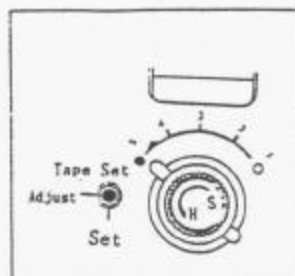
1. Adjust the Set Knob to the position of the Tape Set. (Fig.1)
2. Raise the Upper Cover Knob and open the Upper Cover. (Fig.2)
3. Set the tape end on the Feed Roller and Separating Roller as per figure, and close the Upper Cover. (Fig.2)
4. Keep pressing the FEED Key until the tape end comes out of the tape outlet.
5. Press the CUT Key, and remove the end of the tape.
6. In case you like to straightly come out the tape strongly, adjust the Set Knob to the direction of 5, and in case of wishing to come out the tape weakly, adjust it to the direction of 1.

If you cannot adjust by the Set Knob, adjust by the Slight Adjust Knob. In case of making to strong, adjust to the direction of S(soft), and in case of making to weak, adjust to the direction of H(hard).

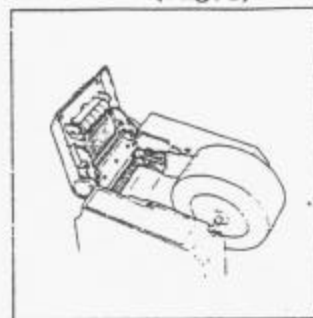
Standard Range of Set Knob (but it will be different by the tape kind and temperature). Cellophane Tape = 5. Cloth Tape = 3. Kraft Tape = 2. PP Tape = 1.

Now, you have finished the preparation to use this tape dispenser.

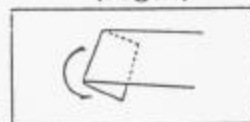
Use it after setting ON the necessary length, COUNTER, SENSOR Key, etc. (Fig.3)



(Fig.1)



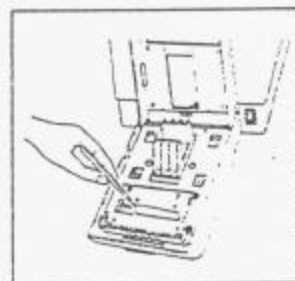
(Fig.2)



### CAUTION

In case of a soft and strong adhesive tape such as cloth tape, set the tape end about 10mm folded down as per figure. (Fig.3)

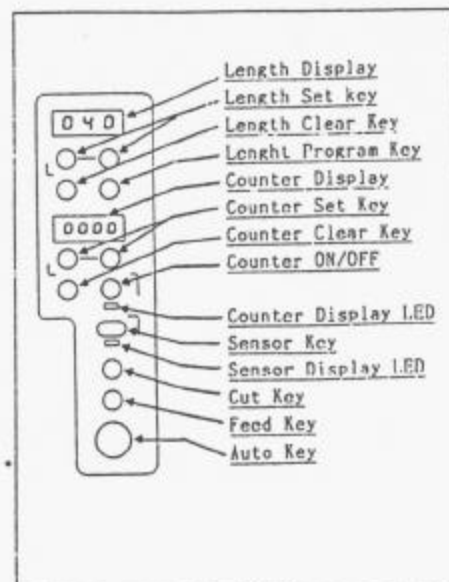
In case of jamming the tape open the Front Cover, remove the jammed tape at the tape outlet, and use by setting again in accordance with the process of tape setting. (In this case, make sure if the Set Knob is at the position of Tape set.) (Fig.4)



(Fig.4)

### OPERATION TO USE COUNTER

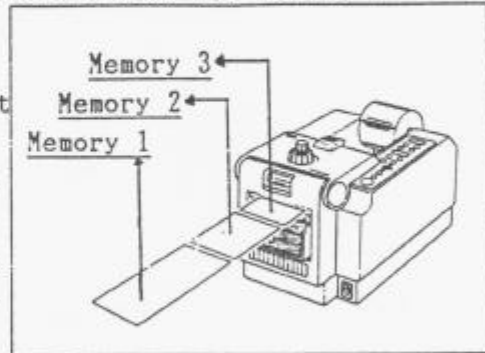
1. In case of using the Calculation Counter. (the Counter for the tape pieces.) If you press the Counter Key ON, the numeral 0000 will be lighted, and will count display per use. (Fig.5)
2. In case of using Preset Counter (set the necessary pieces)
  1. Press the Counter Key ON.
  2. If you press 2 pieces of SET key at the same time, orange LED will be lighted.
  3. Set the necessary pieces by the SET key. (You will be able to set up-to 10 digit by the right SET key, and more than 100 digit by the left SET key).
  4. When the COUNTER numeral comes 0, Feed and Cut will stop. In case of using again, set the necessary pieces again.
  5. In case of not using, press the COUNTER key to OFF.



(Fig.5)

## OPERATION TO PROGRAM TAPE LENGTH

1. Keep pressing the Length PROGRAM Key till LED starts to light on and off.
2. In the beginning, the numeral 40 is displayed, but if you set to the necessary length and press the Length PROGRAM Key, the numeral 999 will start to light on and off. Then, the Memory 1 was programmed.
3. The numeral 999 as the present data of the memory 2 is displayed. But if you change it to the necessary length and press the length PROGRAM Key, then the numeral 999 will start to light on and off. Then, the Memory 2 was programmed.
4. Next, the numeral 999 as the present data of the memory 3 is displayed. But if you change it to the necessary length and press the Length PROGRAM Key, the numeral 0 will start to light on and off. Then, the Memory 3 was programmed.
5. In case of the Sequence Program, if you change the Display 0 to the Display 5 by the SET Key, and press the Length PROGRAM Key, the tape length of Memory 1 will be displayed. Keep pressing it till finishing the light on & off. Next, if you change by the Length PROGRAM Key to the set length which you like to 1stly feed, you will be able to feed in order the tapes in 3 kinds of set length.
6. IN CASE OF ONE TOUCH SWITCH PROGRAM  
Keep pressing the Length PROGRAM Key till lighting on and off of 0 display finishes.  
The tape length 1stly programmed will be displayed. If you press the Length PROGRAM Key, 3 kinds of tape Programmed length will be switched in one touch.
7. If you like to program to 2 kinds, program Memory 3 with 999. Then, you will be able to feed 2 kinds of set length in order.



## CAUTION

If you move the power OFF, all the programmed datas will be eliminated. In such case, program again.

## OPERRATION TO USE SENSOR KEY

1. If you press the SENSOR Key, the power will be ON and green LED will be lighted. Then, if you remove the tape at the tape outlet, the next tape will automatically come out and be cut.
2. In case of using the SENSOR Key, use the tape length within the limits of 40mm to 150mm.
3. In case of clearing the SENSOR Key, press the SENSOR Key, and the power will be OFF and be cleared.

## CAUTION

Be sure to set the tape in the center of the reel, otherwise sometimes the Sensor may not work. In case of using again, press the FEED Key, feed the tape a little, and cut it by the CUT Key. By this way, after removing the tape outlet, press the SENSOR Key ON. If you open the Front Cover or Upper Cover, the Sensor will be OFF. In case of using again, press the SENSOR Key and make ON.

### OPERATION TO USE AUTO KEY

If you press the AUTO Key under the condition of the SENSOR Key OFF, the tape will be fed in the set length and be cut automatically.  
In case of using a long tape, keep holding of the end of tape by your hand when it comes out of the tape outlet.

### IN CASE OF USING FEED KEY

Keep pressing the FEED Key, feed the tape in the necessary length, then press the CUT Key and cut the tape.

If you use a long tape, keep holding of the end of tape by your hand when it comes out of the tape outlet.

### IN CASE OF REPLACING TAPE

Open the Upper Cover, draw out the Reel with tape, and replace it to the next tape in accordance with the process of operating method for the tape setting.

### IN CASE OF REPLACING FEED ROLLER

Open the Upper Cover, raise the Feed Roller and remove it as per Figure. (Fig.6)

In case of setting the Feed Roller Unit, arrange the gear side to the left, separating Roller down, slide down to this side and set.

### IN CASE OF REPLACING CUTTER

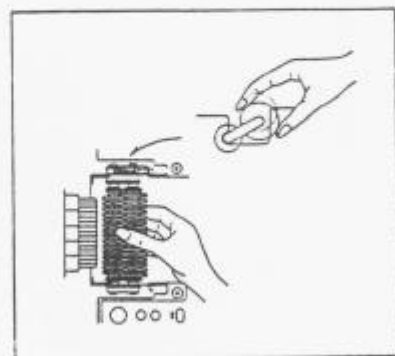
Open the Front Cover, remove 4 screws as per Figure, press down and remove the Upper Cutter.

Then, remove the screws of lower cutter and remove the lower cutter. (Fig.7)

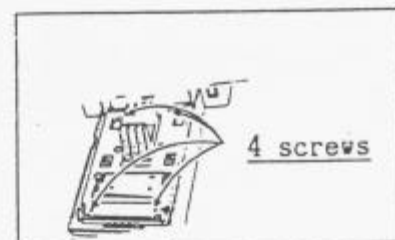
### INSTRUCTIONS IN USING SET KNOB

When the tape adhesion is stronger than the spring power of the press Roller which presses the tape as per loose and rattles. In such case, turn the Set Knob to 1, or return the Adjust Knob to weak, and use it within the limit of not rattling.

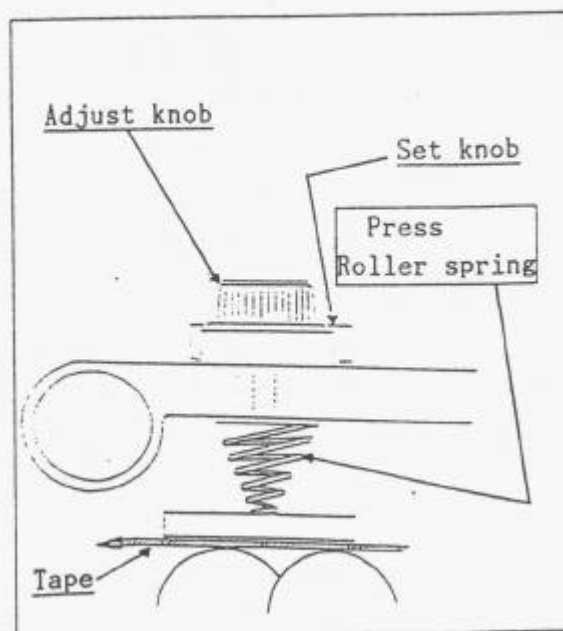
Besides, in case of a too thick tape, sometimes the Set Knob cannot be adjusted, but it is not a machine trouble. (Fig.8)



(Fig.6)



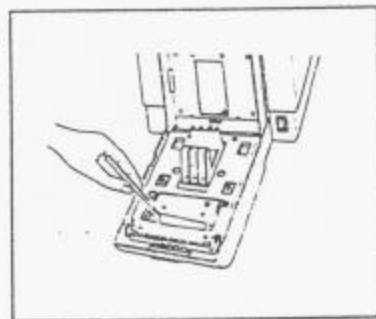
(Fig.7)



(Fig.8)

## PRECAUTIONS

1. Set the Tape properly as described in this Operation Manual.  
(If the end of tape is set in the folded condition, the tape may jam at the tape outlet.)
2. The kinds of applicable and standard tapes for this tape dispenser are as follows: (Regarding a special tape, contact with your dealer)
  - \*ADHESIVE TAPE  
Cellophane Tape, Kraft Adhesive Tape, Cloth Tape, PP Tape, Filament Tape, Aluminum Tape, Crepe Tape, Double Faced Tape(with separating paper),  
(Thickness more than 0.5mm is not applicable)
  - \*NOT-ADHESIVE TAPE  
Thickness in the limits between 0.5mm to 0.2mm.
3. Tape Kinds: Owing to the difference of tape kind(some tapes with flexible material), the tape may not be able to cut at the set length. In such case, adjust the set length properly.
4. If the tape sticks on the cutter, open the Front Cover and apply silicon oil on the cloth or brush at the cutter part.
5. If the tapes jammed at the tape outlet, be sure to open the Front Cover and remove the jammed tape with a small wooden or plastic stick etc.  
If you use a metal stick, it may damage the Cutter and may not be able to cut well.  
Do not touch absolutely your finger to the Cutter. It will injure your finger. (Fig.9)
6. Leaving the tape dispenser for long hours under the condition of setting the tape may result to jam in some kinds of tapes. In such case, feed the tape a little by FEED Key and then, use switching to the AUTO or SENSOR Key.
7. Although it is different per kind of light, if you use this tape dispenser at the too bright place, it may work in wrong.  
Make sure not to use at the place brighter than  
Flourescent Lamp: 3,000 Lux(under the light of 40W, about 30cm),  
Incandescent Lamp: 800 Lux(under the light of 60W, about 45cm),  
Sun Light: 10,000 Lux(at the window).
8. Power Outlet : do not use the other plug than the one as specified.



(Fig.9)

## TROUBLE SHOOTING

When problems occur, carry out the following procedure. If the Tape Dispenser does not operate normally after the following trouble-shooting procedures, contact with your dealer.

1. When the motor does not drive.
  - \*Check if the plug is set properly.
  - \*Check if the power switch is turned NO.
  - \*Check if the fuse has not blown.

## 2. When the tape does not cut.

- \*Check if paste does not stick on the cutter.
- \*Check if the tape does not stick on the cutter.
- \*Check if the tape dispenser cannot work well by sticking paste etc. on the cutter.

IN such case, the electric magnetic clutch may slip and stop after displaying 000.

Open the Front Cover, remove the reason, press the CLEAR Key, and the LED Display will return to 40.

## 3. When the tape jams.

- \*Check if the tape does not jam on the Roller, Cutter etc.
- \*Check if the tape is set properly.
- \*Check if the Feed Roller is set properly.
- \*Check if the Upper Cover and Front Cover are closed properly.
- \*Check if the heavy separating tape (separating power: more than 10kg) is not used.

In this case, the electric magnetic clutch may slip and stop after displaying 000. In such case, contact with your dealer.

## 4. When the SENSOR Key is ON, the Auto Feed does not work.

- \*Check if the Upper Cover and Front Cover is closed properly.
- \*Check if green LED of SENSOR Key is lighted.
- \*Check if the Sensor at the tape outlet is not stained.

## 5. When the SENSOR Key is ON, Tape Feeding does not stop.

- \*Check if the tape is not set at out of place from the center, by the narrow width tape.
- \*If the tape transparency is too high, the Sensor will not work, and the tape will come out endlessly.
- \*If the tape is fed under the curled condition, the tape is separated from the sensor position, and the tape may come out endlessly.  
(In this case, adjust not to curl, by the Set Knob).

## 6. When displays 000.

- \*000 display means the display to protect the circuit from some abnormal case such as tape jamming etc.

If you remove the reason, and press the CLEAR Key, the tape dispenser will return back to work properly.

In case the tape dispenser displays again 000, contact with your dealer.



# SPECIFICATIONS

Model	M-3000
Type	Electronic Tape Dispenser
Lenght Setting Up Display	3 digit LED
Counter Display	4 digit LED
Applicable Tape	Adhesive Tape, Not-Adhesive Tape, (but too weak-kneed tape and the tape with separating power more than 10kg are not applicable)
Applicable Tape Width	7mm to 75mm (3 inch reel)
Tape Lenght Set Limit	Auto: 40mm to 999mm
Feed Roller	Roller Unit Replacing Way (for narrow width tape and wide width tape)
Drive	Tape Feed and Tape Cut: AC Motor
Control	Electronic Control Method (Loaded Micro)
Power Consumption	25W
Power	3 kinds of AC100V, AC120V, AC230V, 50/60Hz. (The Voltage is different per country.)
Applicable Illuminance	Fluorescent Lamp: less than 3,000 lux Incandescent Lamp: less than 800 lux Sun Light: less than 10,000 lux
Ambient Temperature and Humidity	5 to 40 degree C. less than 80%RH
Dimension and Weight	200W X 260D X 230H 5.8kg
Standard Accessories	Silicon Oil(5cc), Operation Manual, Roller Unit(for narrow width tape)

## \*SEPARATE SALES

Roller Unit for Narrow Width Tape, Roller Unit for wide width Tape,  
Fluorine Coating Cutter, 1 Inch Reel, Reel Stand for Large Reel,  
Reel for not-adhesive, narrow width tape, Electric magnet clutch.

## \*Others

In case of a special tape, you may not be able to use this tape dispenser  
with the standard roller unit.

In such case, contact with your dealer.