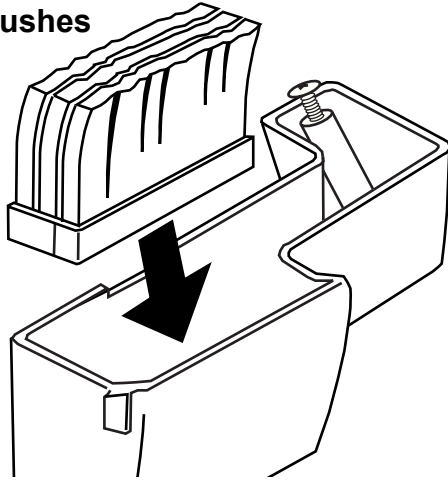


5

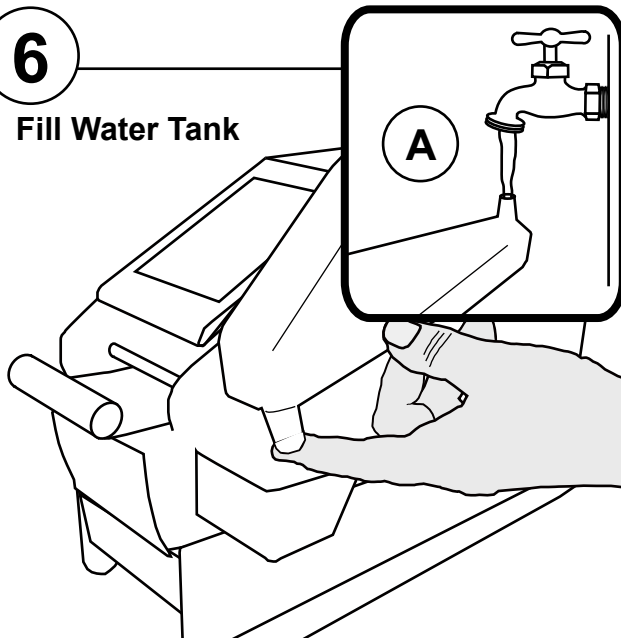
Clean Brushes



- A: Remove brushes and wash with clean, warm water.
- B: Replace brushes. Brushes must be angled toward the front of the dispenser.

6

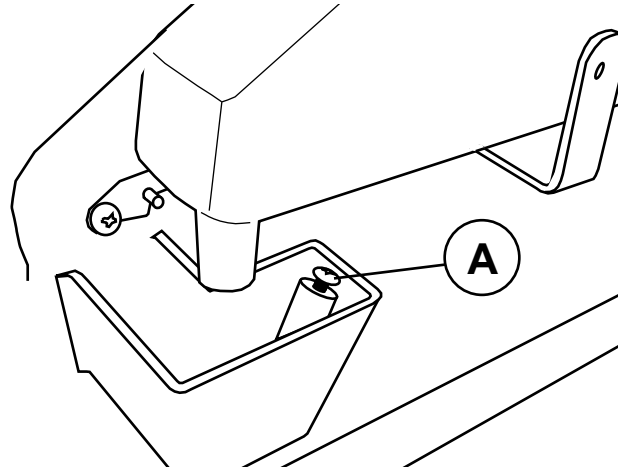
Fill Water Tank



- A: Fill water tank with clean water
- B: To avoid spilling, place finger over fill hole when returning full water tank to its holder

7

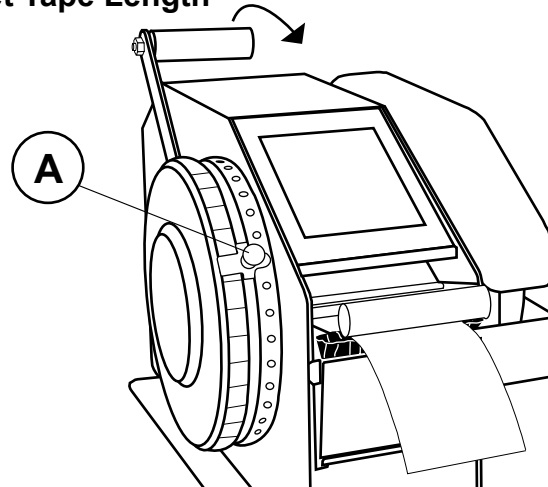
Adjust Water Level
OPTIONAL STEP



- A: If necessary, water level can be adjusted by turning the screw on the water tray

8

Set Tape Length



- A: Pull knob to set desired tape length
- B: Pull lever to dispense tape.

TDH₂O1



Quick Start Guide



4270 Airborn Dr. Addison, TX 75001, USA
972.248.1999 | tech@startinternational.com

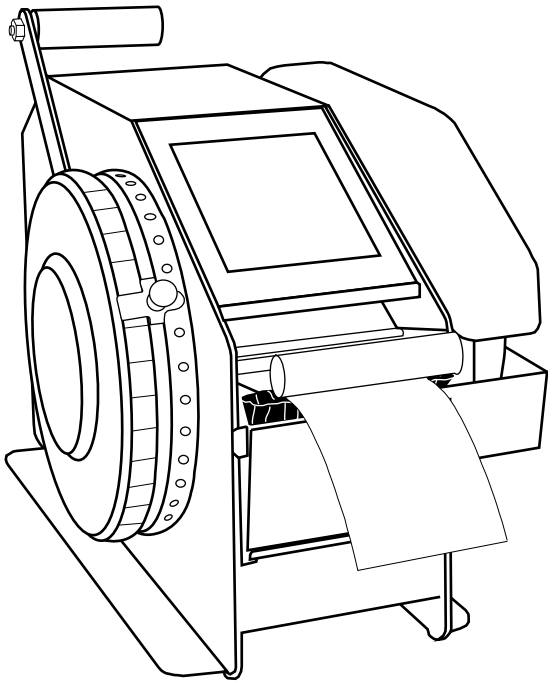
Need more help? Download the full manual or contact us

→ startinternational.com

TDH₂O1

**Manual
Gummed “Water Activated”
Tape Dispenser**

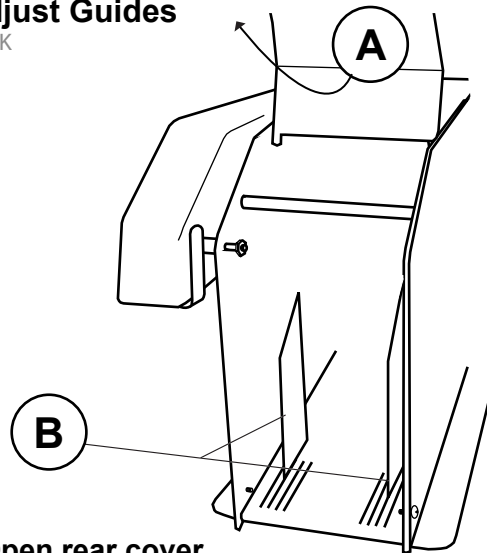
ITEMS INCLUDED



Dispenser

1

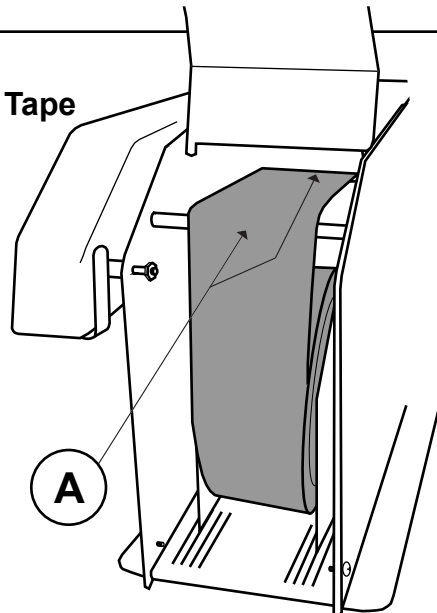
Adjust Guides
BACK



A: Open rear cover
B: Adjust reel guides to fit the tape roll

2

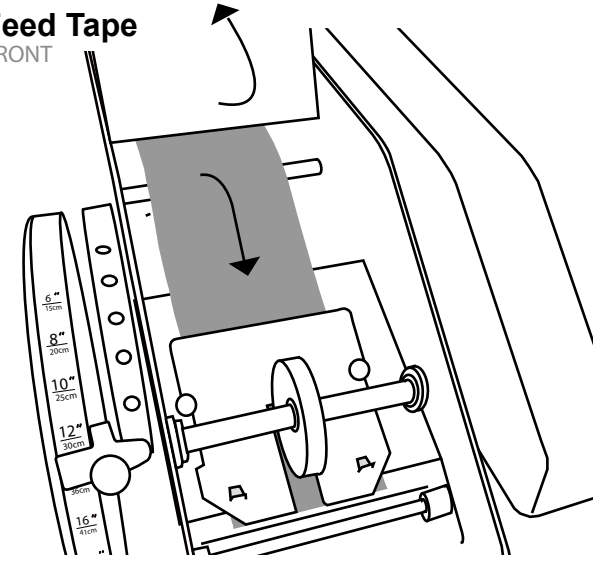
Insert Tape
BACK



A: Insert tape roll and guide tape over the black lift roller and the metal guide bar

3

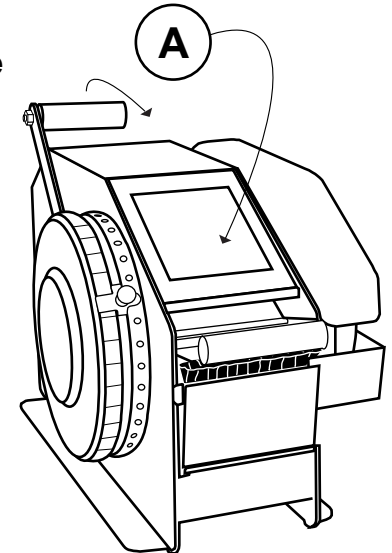
Feed Tape
FRONT



A: Raise front cover and continue feeding tape under the upper tape plate

4

Check Tape



A: Close lids and pull handle to dispense one piece of tape. This will ensure that the tape is loaded properly.