

# instructions

TDH<sub>2</sub>01



## CONTENTS

Read this user's manual before use to ensure proper operation. Keep the manual on hand for reference in case there is a problem.

Warranty Information .....	2
Repair Policy .....	2
Notes .....	3
Features .....	3
Description of Parts and Functions.....	3
Set-up.....	4
Tape Loading.....	4
Adjustments .....	5
Operation.....	6
Preventive Maintenance .....	6
Exploded Views/Parts Breakdown .....	7-13

START International warrants all parts on the TDH2O1 tape dispenser against defects in design, materials and workmanship for a period of 360 days. Parts excluded from this are: cutting blade, springs; these parts are considered "wear parts". Labor to replace defective parts will be performed at no charge for the first 180 days after date of purchase. Warranty does not cover transportation costs.

Our sole obligation under this warranty is limited to repair, replacement or credit of the purchase price, at our option, for units that do not perform properly the function for which they were designed.

Warranty repair is contingent upon our examination and determination that alleged defects have not been caused by misuse, abuse, improper installation or application, repair, alteration, accident or neglect in use, storage, transportation or handling.

The above warranty and remedy constitutes START International's sole liability hereunder and are in lieu and exclusive of all other warranties and remedies expressed, implied, or statutory, including, but not limited to, those of merchantability and fitness for a particular purpose.

Contact START International to determine nature of problem.

Furnish START with the following information:

1. Who the unit was purchased from.
2. Model number and serial number.
3. Date purchased (copy of invoice or packing slip required).

Start will issue an RGA (Return Goods Authorization) for the repair.

Return machine to Start International by UPS, insured and prepaid.  
Start will notify the customer if there is a repair charge.

A \$25.00 evaluation charge will apply to all non-warranty repairs, and will be applied to subsequent repair charge.

## NOTES

- Do not leave tape dispenser in direct sunlight.
- Do not drop the dispenser or subject it to heavy shock.
- Do not insert fingers into the tape outlet.

## FEATURES

- Quick-change length setting. No tools required.
- Large capacity water bottle.
- Stainless steel tape guides.
- Triple brush moistening system.

## DESCRIPTION OF PARTS AND FUNCTIONS



- Water Bottle - Reservoir for water tank.
- Water Tank / Brush - Wets tape as it feeds through dispenser. Water level is adjustable.
- Handle Stop - Sets feed length.
- Knob - Allows for adjustment of Handle Stop.
- Handle - Dispenses and cuts tape.

## SET-UP

1. Remove the tape holding the reel guides and upper tape plate. (For shipping purposes only.)
2. Remove bottle.
3. Remove water tank by tilting it back and pulling forward over the front lip.
4. Remove brushes from water tank and wash with soap and warm water. Rinse brushes to ensure removal of all soap residue.
5. Replace brushes in water tank. Brushes must be angled toward the front of the dispenser.

Installing backward will lead to tape jams. (Figure 1)

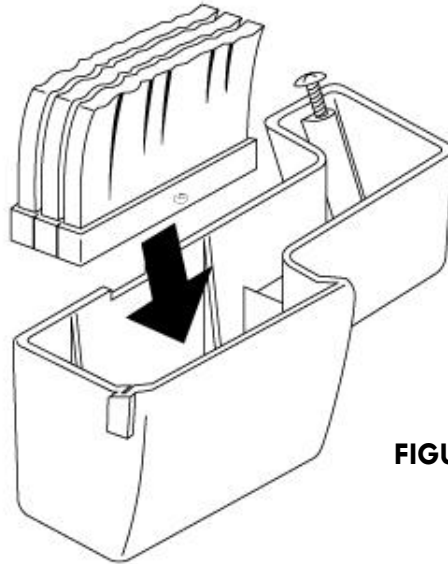


FIGURE 1

6. Replace water tank.
7. Fill bottle with clean water. Place finger over fill hole and replace bottle into holder. Water level can be adjusted by turning the screw on the water tank.

## TAPE LOADING

1. Adjust reel guides to fit tape width.
2. Place tape roll, adhesive side down, into the back of machine between the reel guides.
3. Manually feed tape:
  - Over the lift roller
  - Over the metal guide bar
  - Under the upper tape plate until the tape is up against the shear blade. (Figure 2)

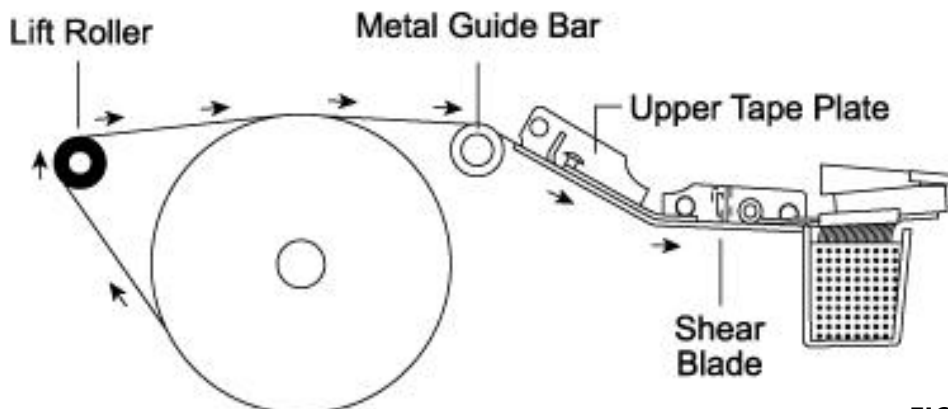


FIGURE 2

## ADJUSTMENTS

### Wetting of Brushes

- Adjust the height of the water bottle by turning the screw in the water tank. Higher to apply more water, lower for less water.

### Tape Feeding

- The position of the lower feed wheel can be adjusted by using the set screw on the feed assembly. This can be accessed through the large hole in the support bracket. (Figure 3)

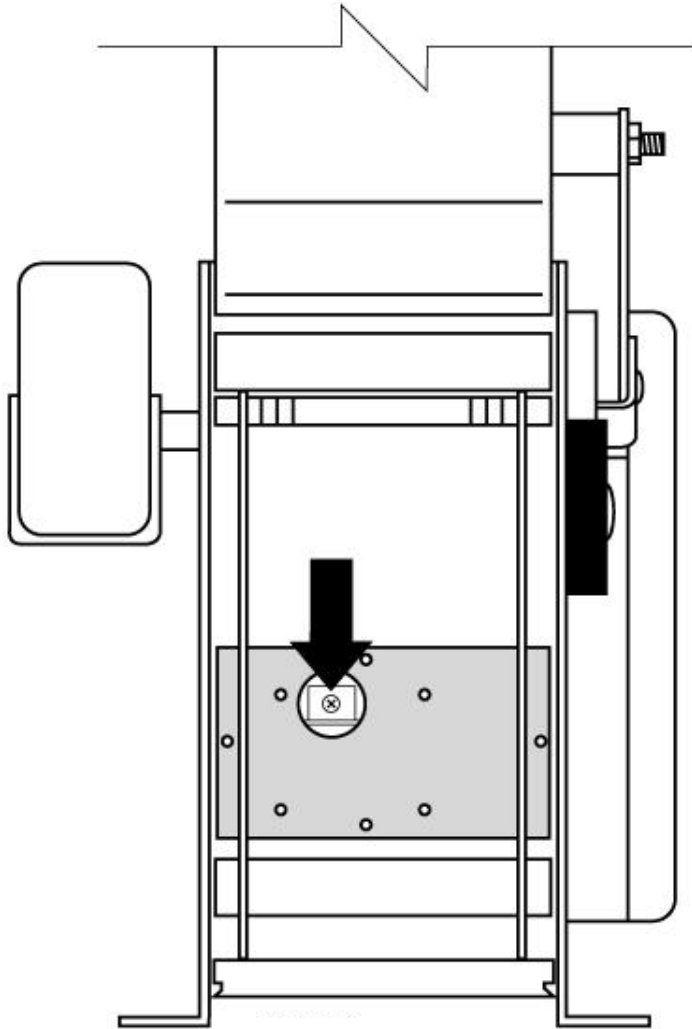


FIGURE 3

- If the tape is slipping and not feeding consistent lengths, turn the screw clockwise to raise the feed wheel. If the tape is being torn or scored by the wheel, turn the screw counter-clockwise to lower the feed wheel.

### Roll Guides

- Raise the roll guides on the metal bar until the guides can slide along the bar. Place the roll guides into the slots that are just wider than the width of the tape. To set roll guides, pull the guide down into the slot on the metal bar and then slide the guide into the bottom slot.

## OPERATION

1. Check covers to make sure they are securely closed.
2. Lift Knob and adjust Handle Stop to required length. (Figure 4)
3. Pull Handle to Handle Stop then release handle. (Figure 5)  
(The return action of the handle cuts the tape.)

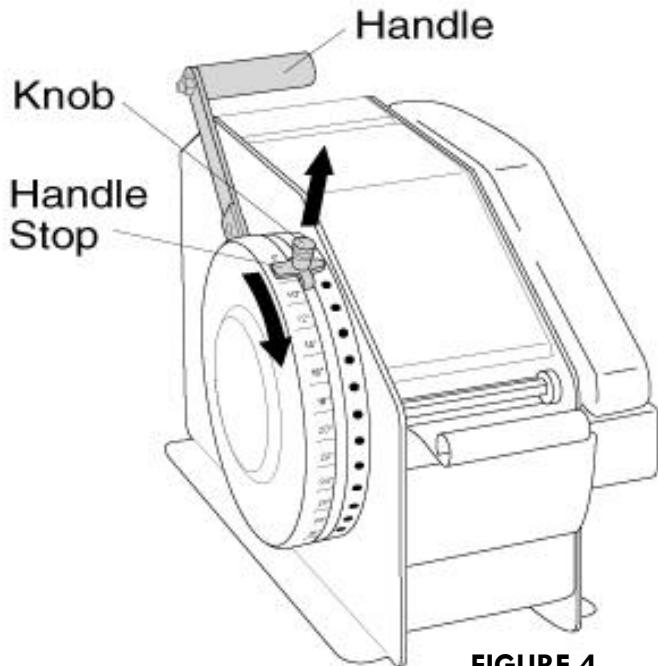


FIGURE 4

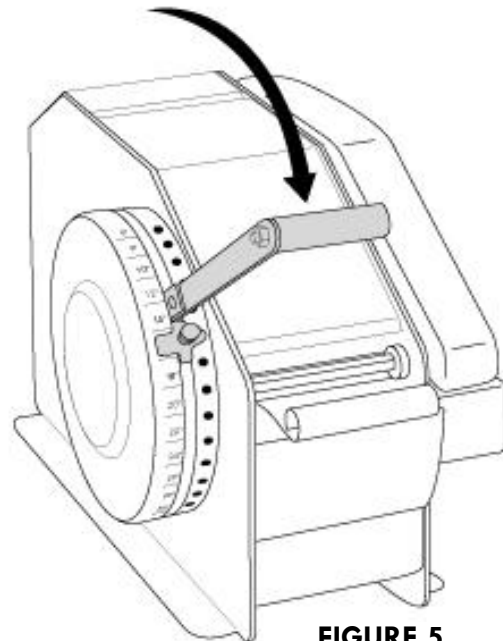


FIGURE 5

## MAINTENANCE

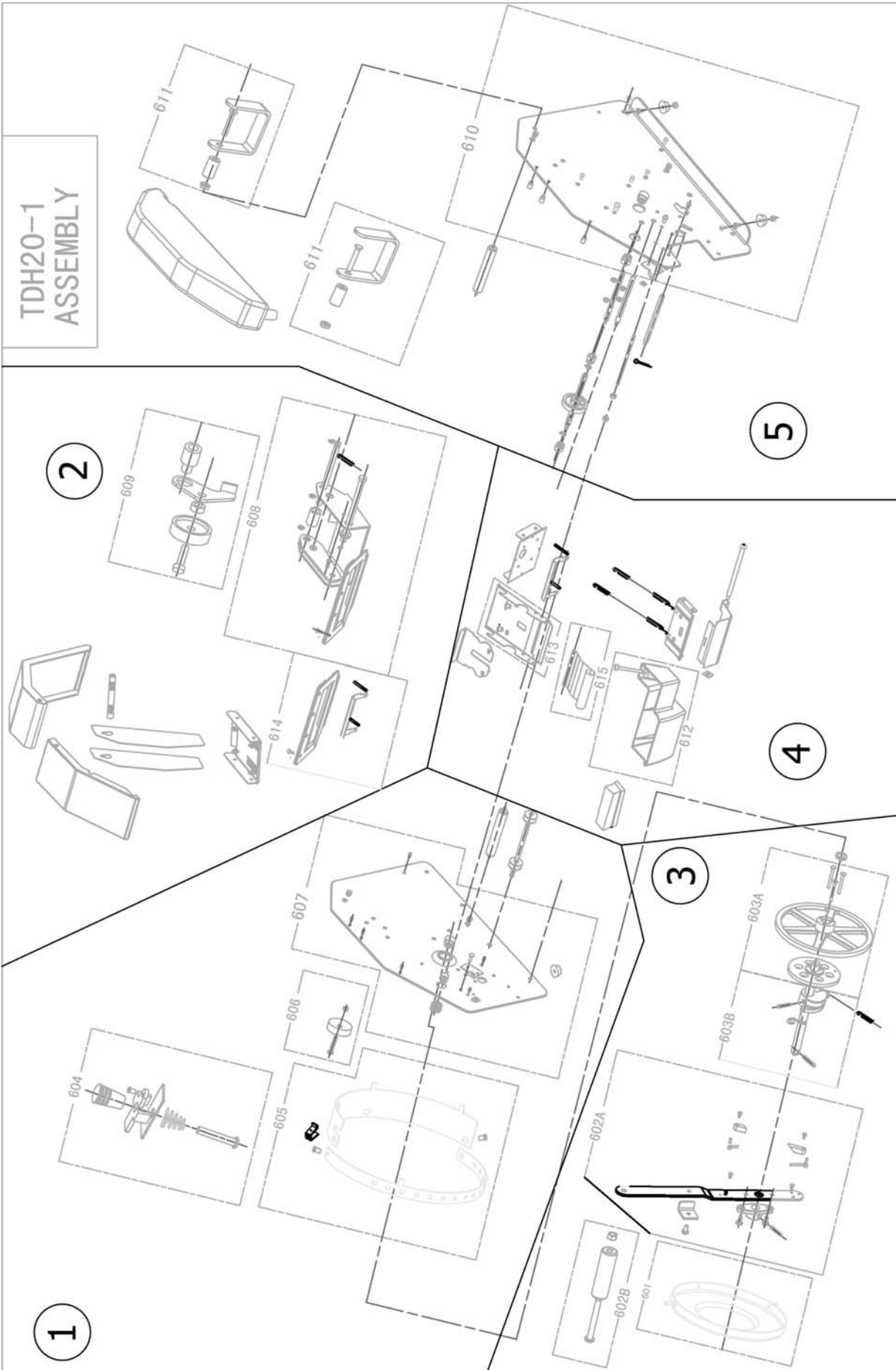
### Weekly

1. Wipe shear blade with clean cloth. Use IPA for adhesive build-up on blade.
2. Remove water tank, brushes, and bottle. Wash with warm water and soap.
3. Remove upper tape plate and brush out paper dust.

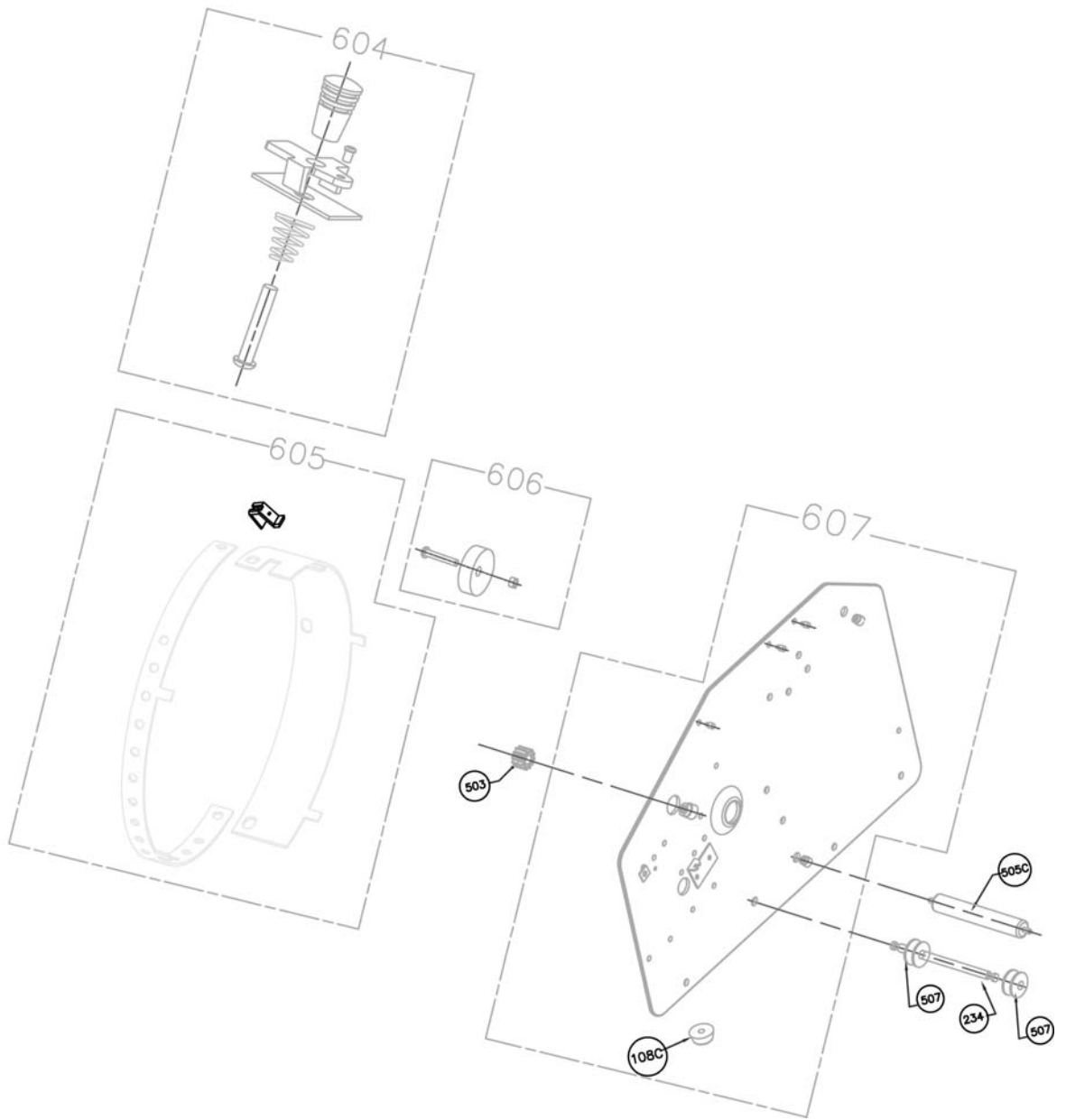
### Monthly

1. Add several drops of light machine oil to blade oiler. This is done by pulling the oiler away from the blade.
2. Gently push the oiler back into position against the blade.

EXPLODED VIEWS / PARTS BREAK DOWN

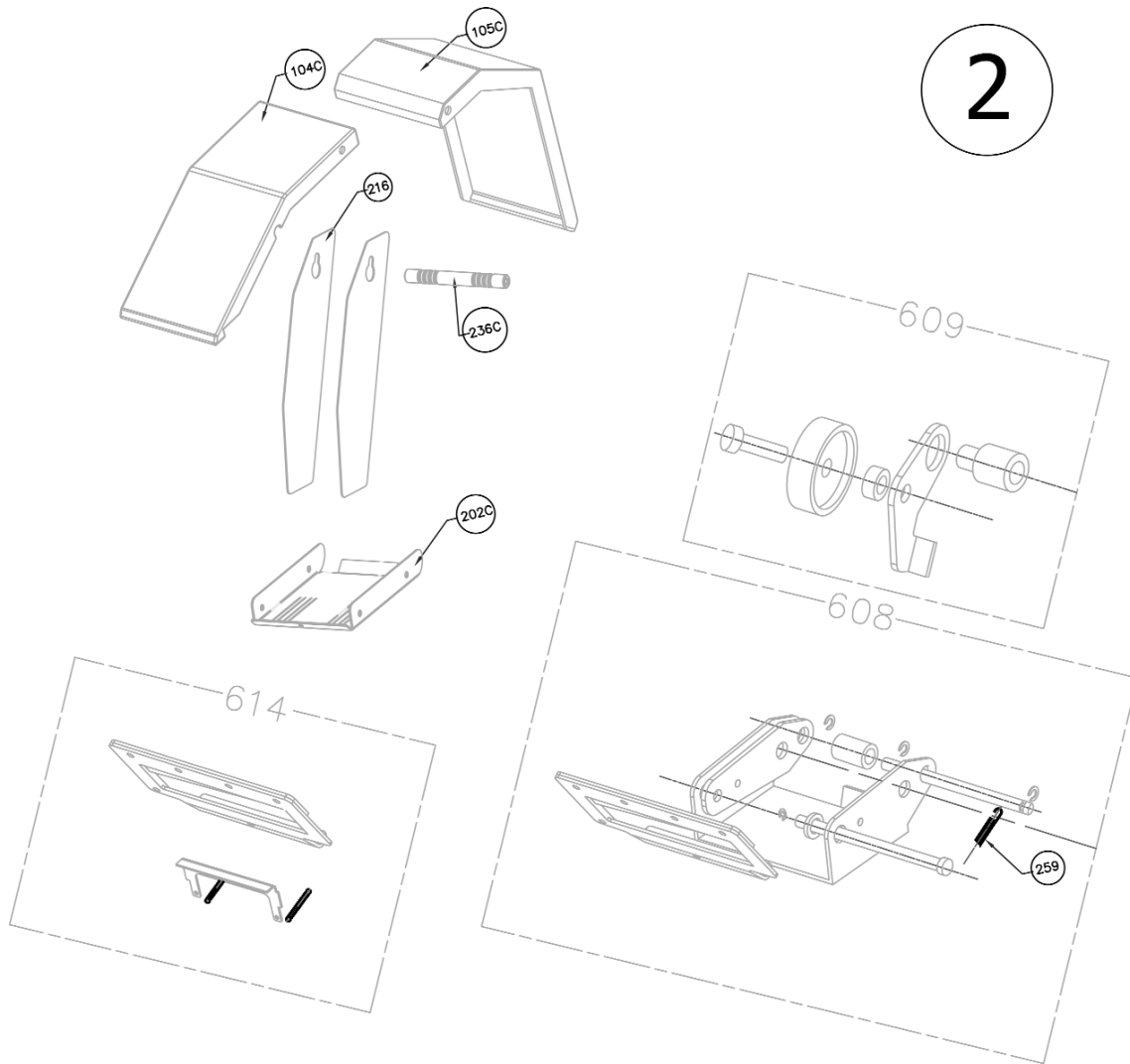


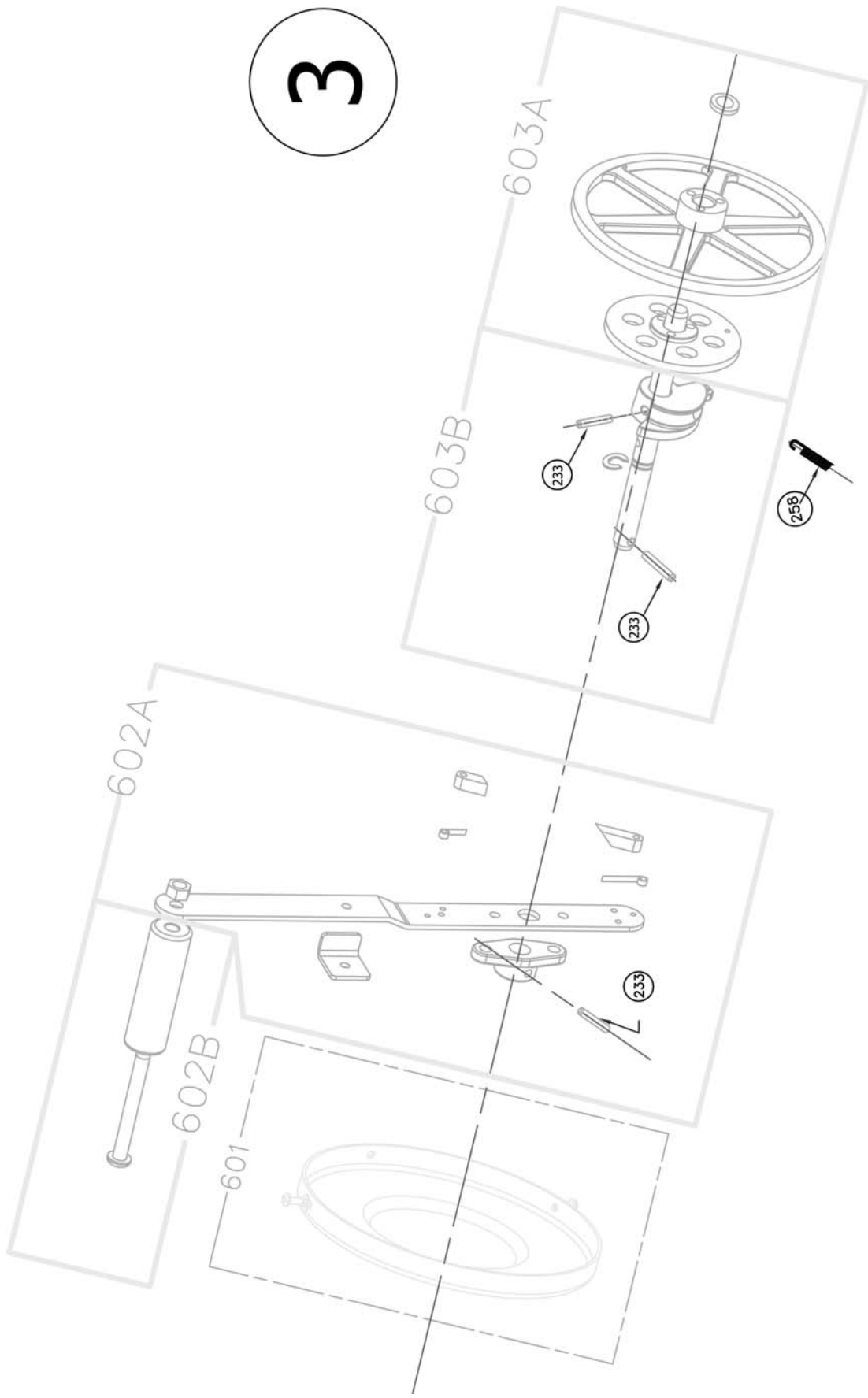
1

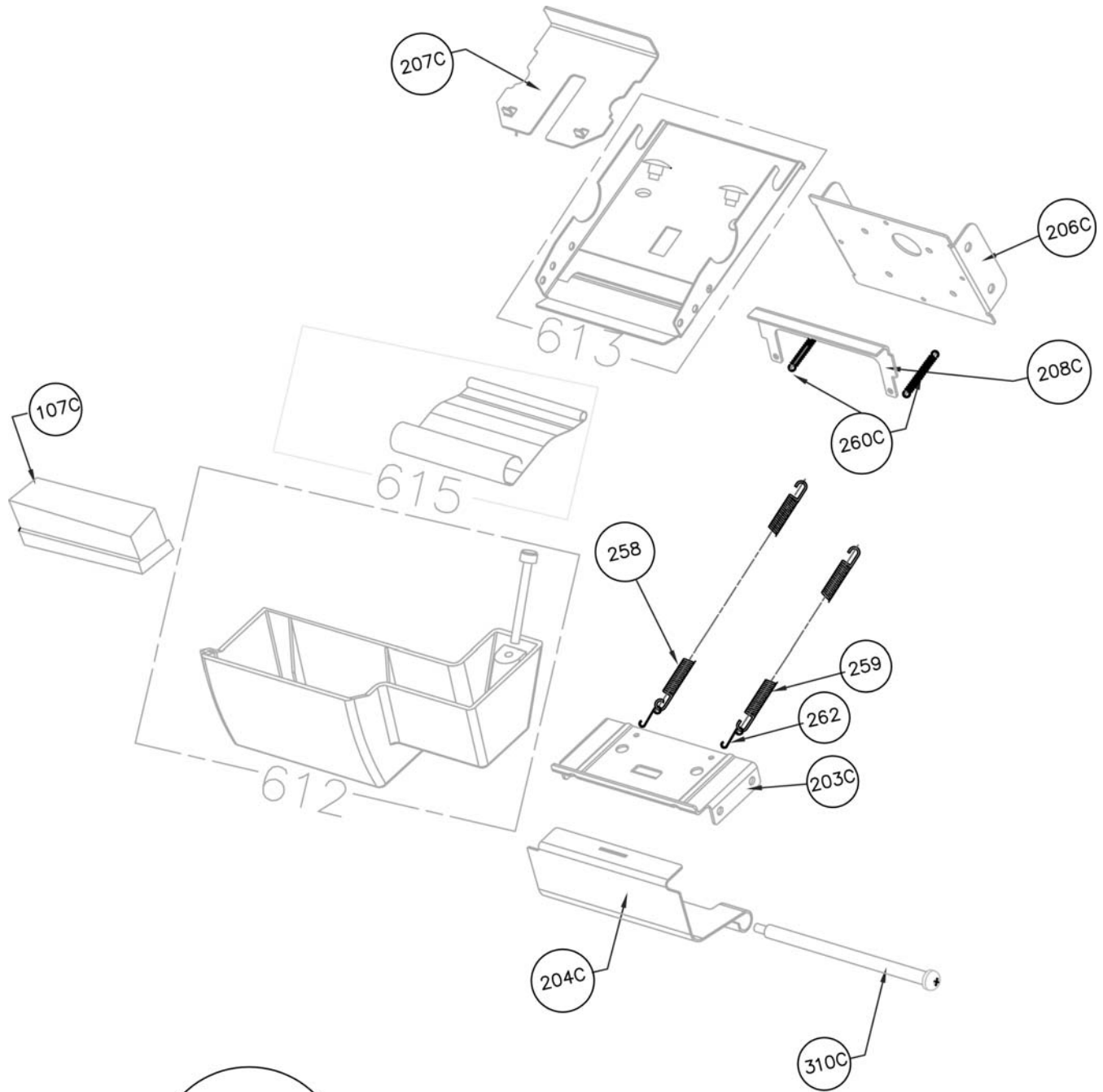




2

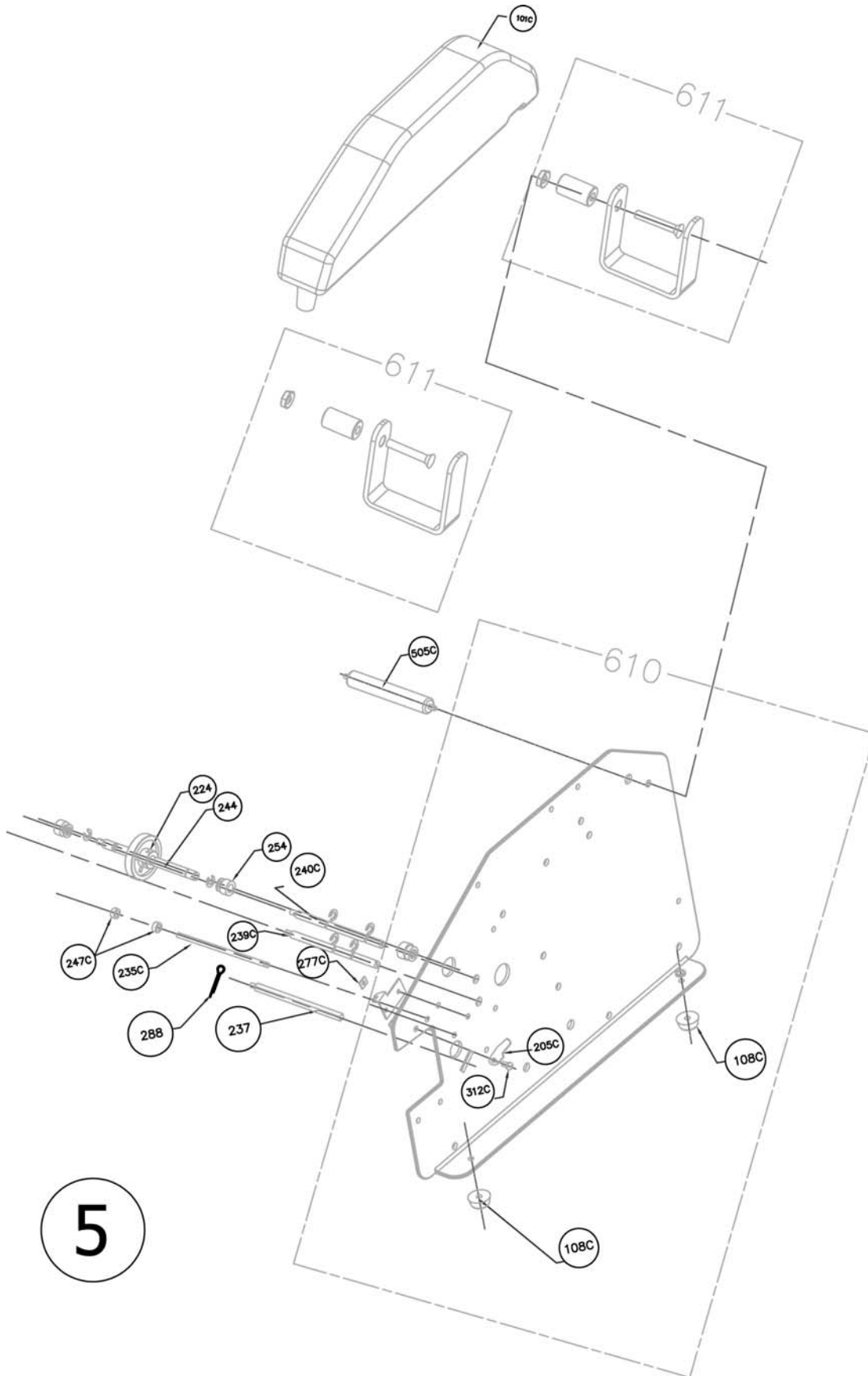






4

EXPLODED VIEWS / PARTS BREAK DOWN



TDH20-1 Parts list

Part Number	Section #	Part Name	Part Number	Section #	Part Name
TDH201P101C	5	Water Bottle	TDH201P288	5	Rocker Stop Pin
TDH201P104C	2	Front Cover	TDH201P310C	4	Screw
TDH201P105C	2	Rear Cover	TDH201P312C	5	Screw
TDH201P107C	4	Moistening Brush	TDH201P503	1	Handle Gear
TDH201P108C	1, 5	Rubber Feet	TDH201P505C	1, 5	Tape Roller
TDH201P202C	2	Base Basket	TDH201P507	1	Spring Roller
TDH201P203C	4	Water Tank Shelf	TDH201P601	3	Gear Cover Assy.
TDH201P204C	4	Lower Front Cover	TDH201P602A	3	Handle Assy.
TDH201P205C	5	Pressure Plate Bar Lock	TDH201P602B	3	Handle Knob Assy.
TDH201P206C	4	Vertical Tie Plate	TDH201P603A	3	Drive Gear Assy.
TDH201P207C	4	Upper Tape Press Plate	TDH201P603B	3	Cam Shaft Assy.
TDH201P208C	4	Lower Blade	TDH201P604	1	Feed Stop Assy.
TDH201P216	2	Tape Guide	TDH201P605	1	Length Frame Assy.
TDH201P224	5	Feed Roller	TDH201P606	1	Handle Stopper Assy.
TDH201P233	3	Spring Pin	TDH201P607	1	Left Frame Assy.
TDH201P234	1	Spring Roller Bar	TDH201P608	2	Rocker Blade Assy.
TDH201P235C	5	Pressure Plate Bar	TDH201P609	2	Idler Shaft Sub-assy.
TDH201P236C	2	Tape Guide Bar	TDH201P610	5	Right Frame Assy.
TDH201P237	5	Rocker Stop Bar	TDH201P611	5	Bottle Bracket Assy.
TDH201P239C	5	Lower Spacer Bar	TDH201P612	4	Water Tank Assy.
TDH201P240C	5	Upper Spacer Bar	TDH201P613	4	Lower Tape Plate Assy.
TDH201P244	5	Front Roller Shaft	TDH201P614	2	Blade Set Assy.
TDH201P247C	5	Pressure Plate Spacer	TDH201P615	4	Pressure Plate Assy.
TDH201P254	5	Feed Roller Spacer			
TDH201P258	3, 4	Handle Return Spring			
TDH201P259	2, 4	Crank Return Spring			
TDH201P260C	4	Lower Blade Spring			
TDH201P262	4	Hook 1			
TDH201P277C	5	Nut Plate			



**START™**

**I n t e r n a t i o n a l**

4270 Airborn Drive

Addison, TX 75001, USA

Toll Free 800.259.1986

Tel 972.248.1999

Fax 972.248.1991

[info@startinternational.com](mailto:info@startinternational.com)

[www.startinternational.com](http://www.startinternational.com)