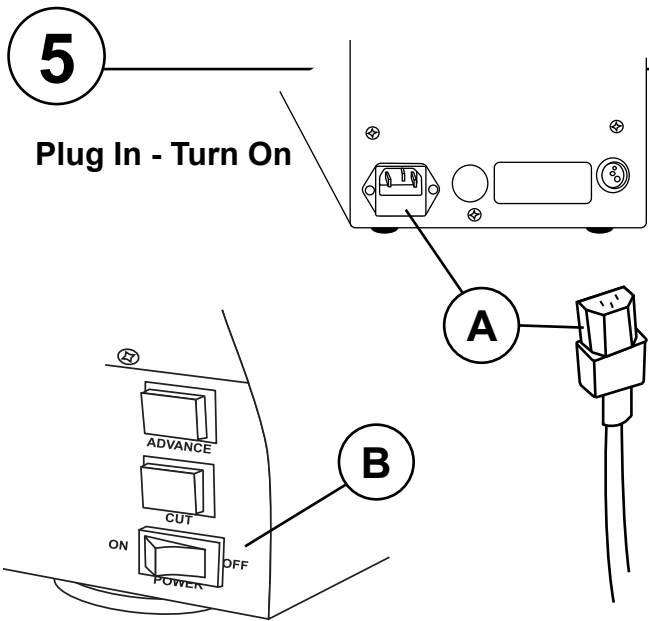


5

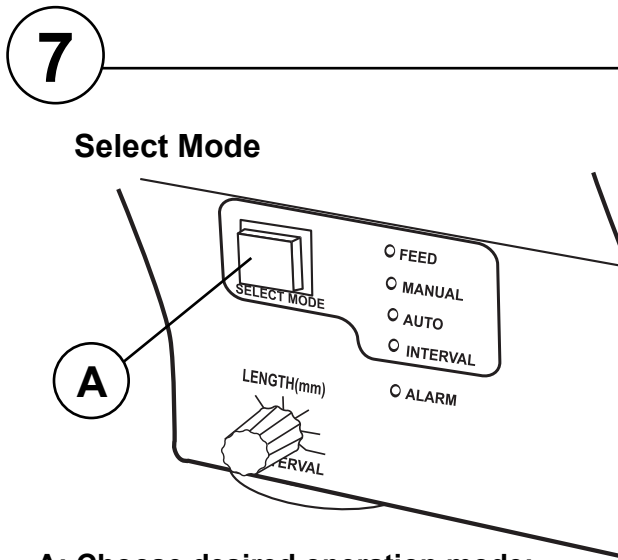
Plug In - Turn On



- A: Connect power cord (in back)
- B: Press power switch (on front) to turn on the machine

7

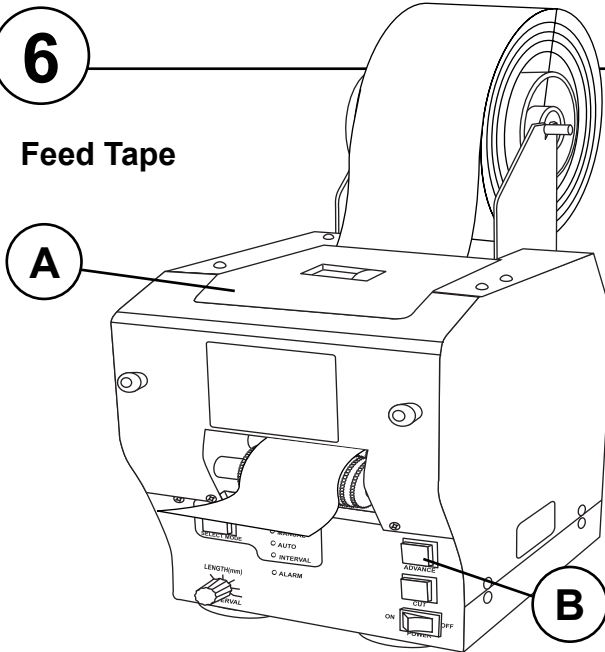
Select Mode



- A: Choose desired operation mode:
- FEED
 - MANUAL (feed & cut)
 - AUTO (feed & cut)
 - INTERVAL (feed & cut)

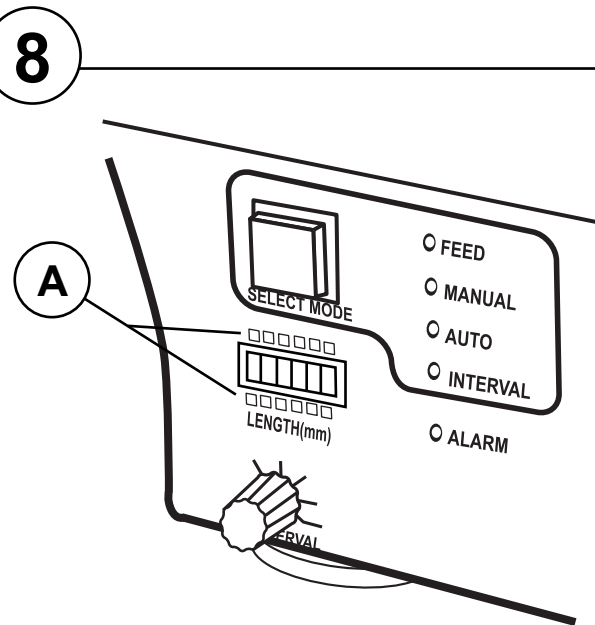
6

Feed Tape



- A: Close top panel door
- B: Press advance button to feed tape

8



- A: Set desired tape length (mm) by pushing up or down buttons

TDA150



Quick Start Guide



4270 Airborn Dr. Addison, TX 75001, USA
972.248.1999 | tech@startinternational.com

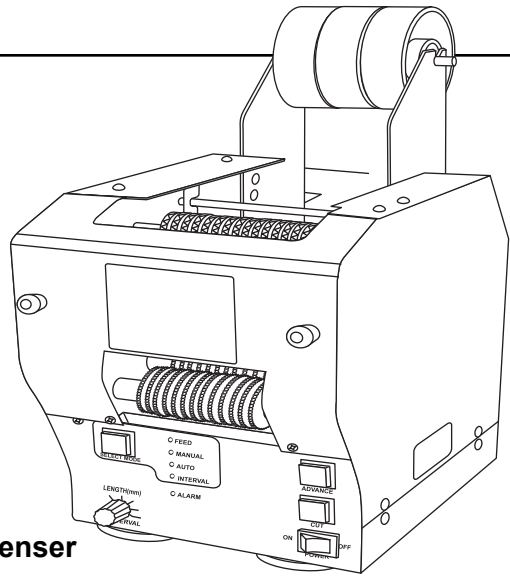
Need more help? Download the full manual or contact us

→ startinternational.com

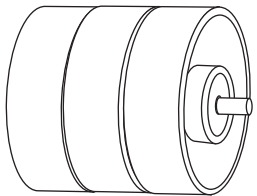
TDA150

Electric Tape Dispenser

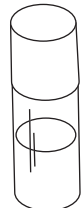
ITEMS INCLUDED



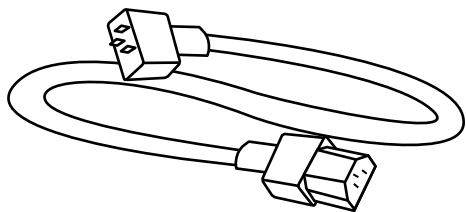
Dispenser



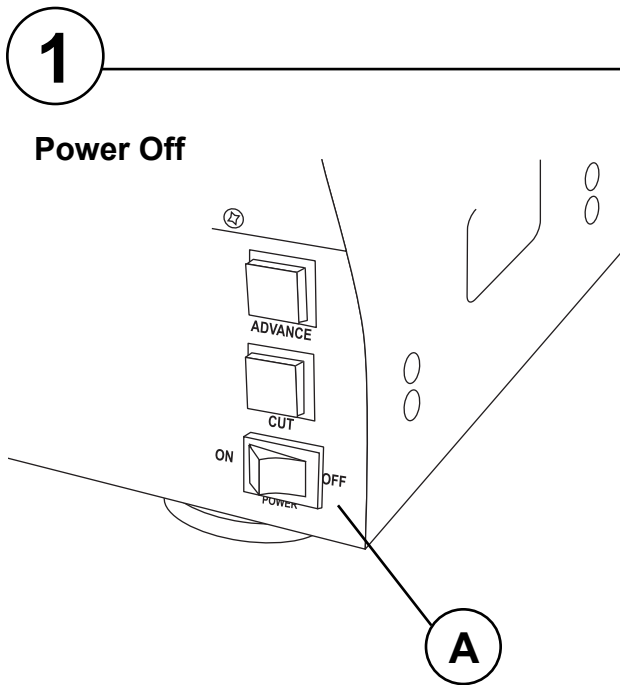
Core Holder



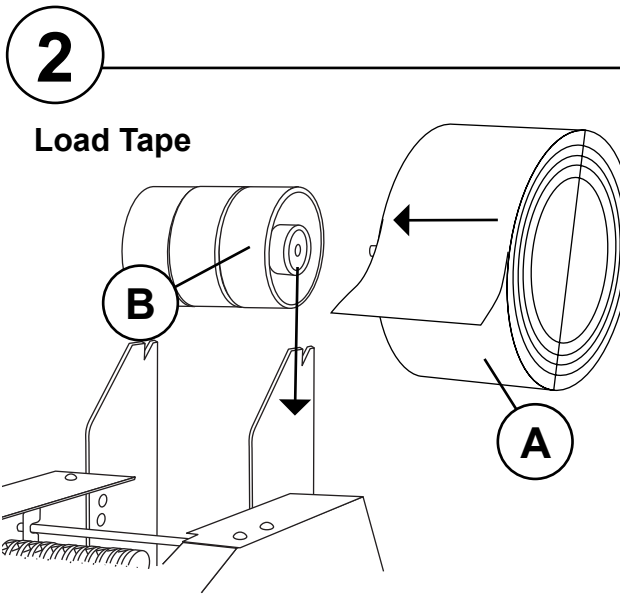
Silicon Oil



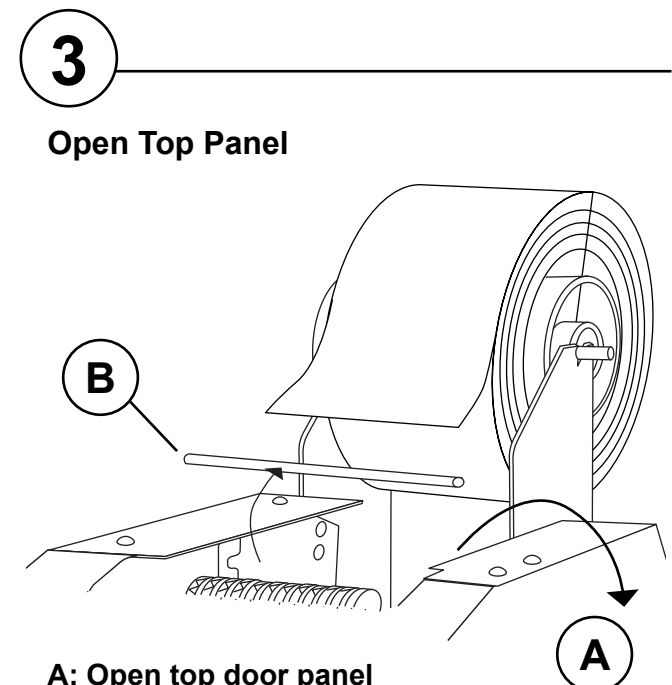
Power Cord



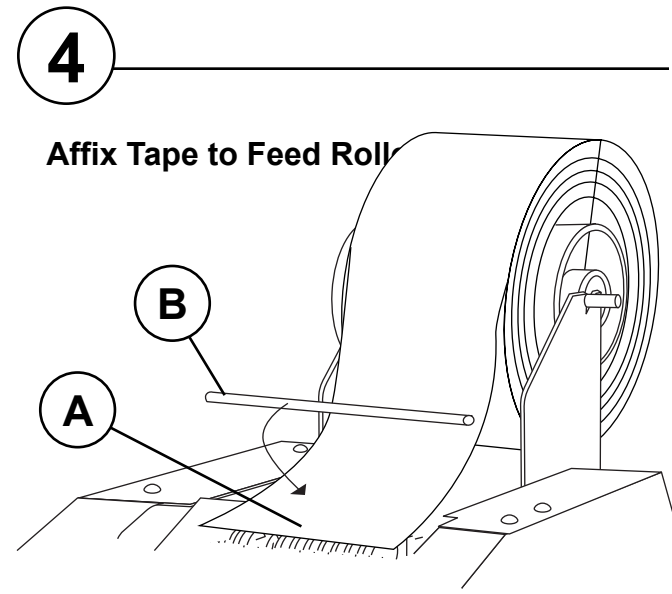
A: Ensure power button is set to off



A: Slide tape roll onto core holder
B: Place loaded core on holding bracket



A: Open top door panel
B: Remove tape shaft from unit



A: Affix tape onto feed roller
B: Re-insert tape shaft into guide