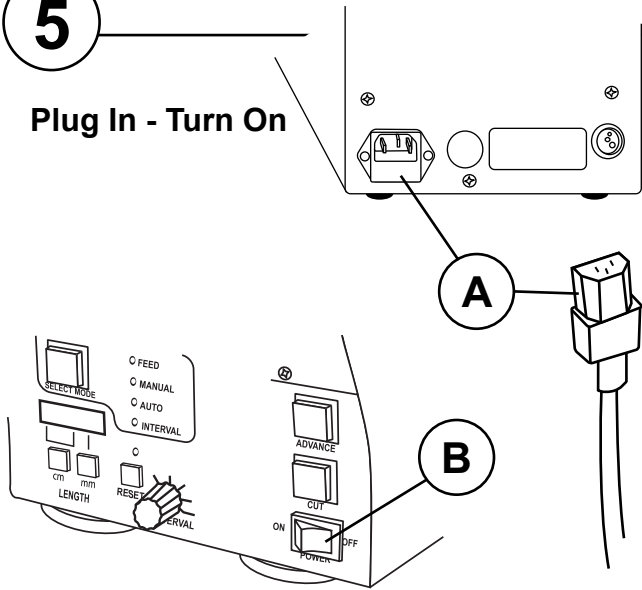


5

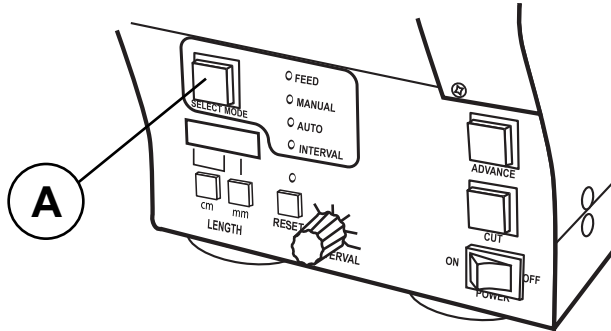
**Plug In - Turn On**



- A:** Connect power cord (in back)
- B:** Press power switch (on front) to turn on the machine

7

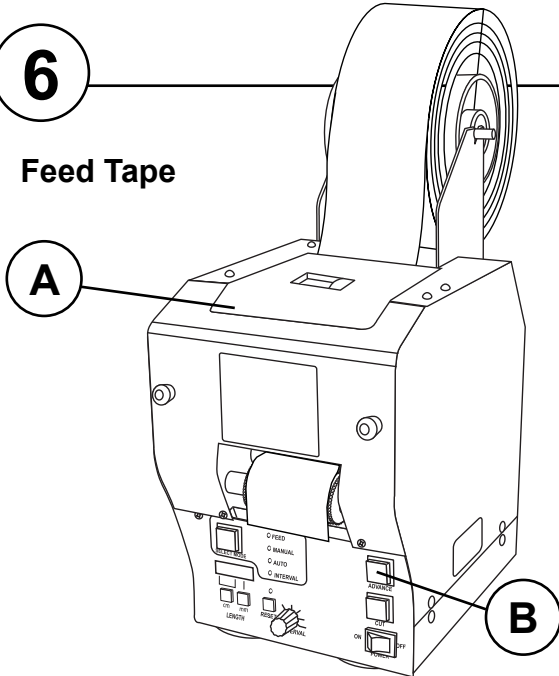
**Select Mode**



- A:** Choose desired operation mode:
- FEED
  - MANUAL (feed & cut)
  - AUTO (feed & cut)
  - INTERVAL (feed & cut)

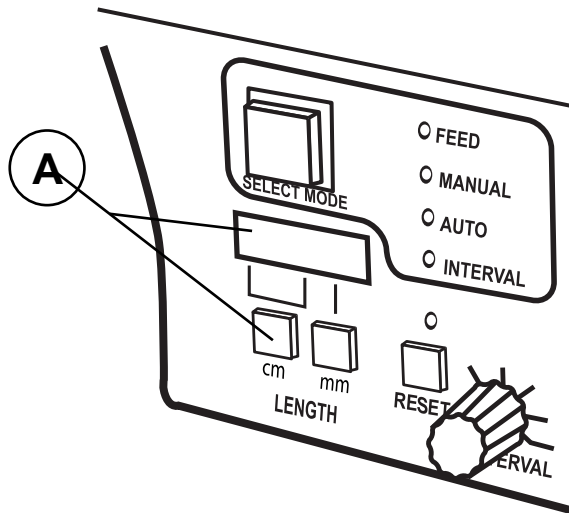
6

**Feed Tape**



- A:** Close top panel door
- B:** Press advance button to feed tape

8



- A:** Set desired tape length by pushing cm or mm buttons.

Need more help? Download the full manual or contact us

**TDA080 (NM & NS Models)**



Quick Start Guide



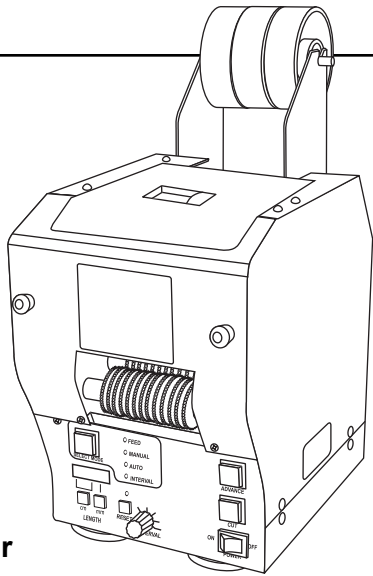
4270 Airborn Dr. Addison, TX 75001, U.S.A.  
972.248.1999 | tech@startinternational.com

➔ [STARTinternational.com](http://STARTinternational.com)

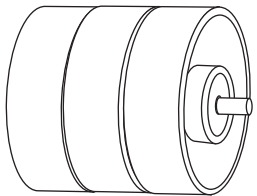
**TDA080**

**Electric Tape Dispenser**

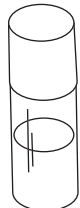
**ITEMS INCLUDED**



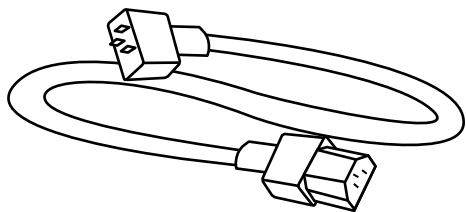
**Dispenser**



**Core Holder**



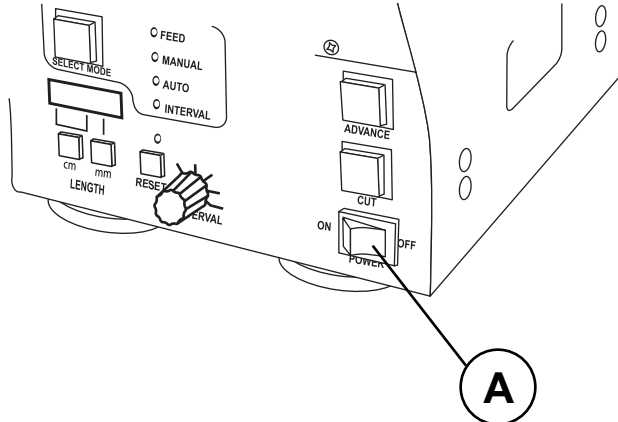
**Silicon Oil**



**Power Cord**

**1**

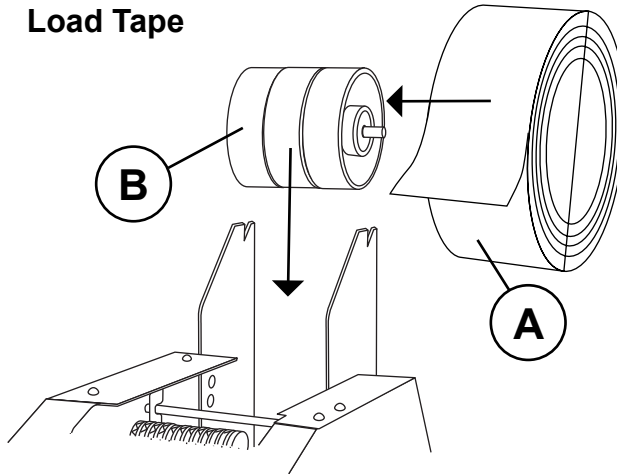
**Power Off**



**A: Ensure power button is set to off**

**2**

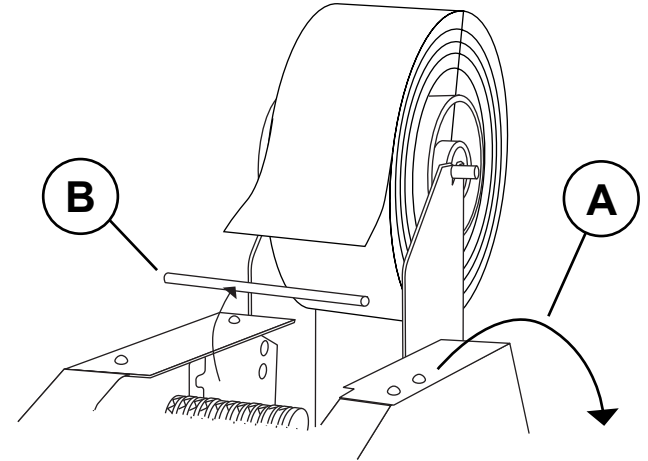
**Load Tape**



**A: Slide tape roll onto core holder**  
**B: Place loaded core on holding bracket**

**3**

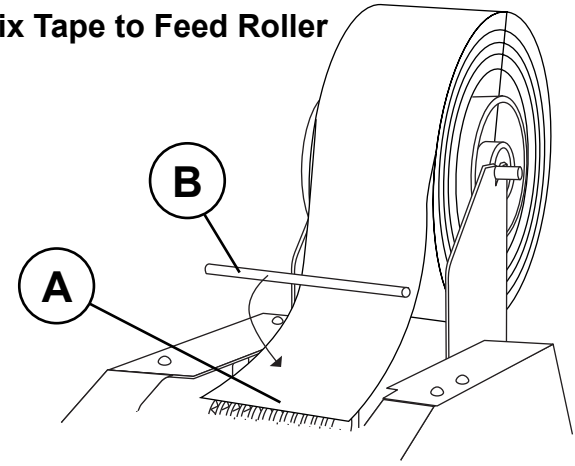
**Open Top Panel**



**A: Open top door panel**  
**B: Remove tape shaft from unit**

**4**

**Affix Tape to Feed Roller**



**A: Affix tape onto feed roller**  
**B: Re-insert tape shaft into guide**